



www.Source1Parts.com

H1DS SERIES CONDENSING UNIT (STYLE B)

HVAC SERVICE PARTS

Supersedes:035-10822-000 Rev. A (0503)

035-10822-000 Rev. B (0703)

Appends:550.37-RP1Y (594)

1 of 2

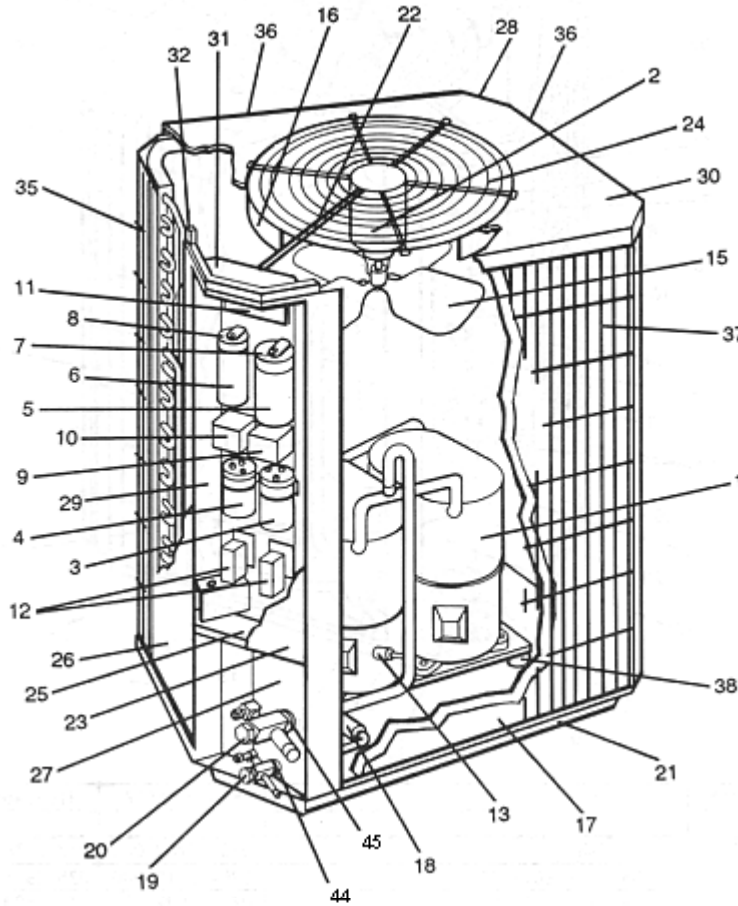



FIGURE 1 - CONDENSING UNIT

| FIG | ITEM | DESCRIPTION | H1DS036S06B | H1DS048S06B | H1DS060S06B |
|-----|------|----------------------------------------------------------------------------------------------|----------------------|-----------------------------|-----------------------------|
| 1 | 1 | Compressor, Hermetic | 015-02541-005 | 015-02540-005 | 015-02539-005 |
| 1 | 2 | Motor, Fan | 024-25810-000 | 024-25810-000 | 024-25810-000 |
| 1 | 3 | Capacitor, Run (25/7.5MFD) [RC1] Capacitor, Run (35/7.5MFD) [RC1] | 024-25825-000 --- | 024-25825-000 --- | --- 024-25068-000 |
| 1 | 4 | Capacitor, Run (30MFD) [RC2] Capacitor, Run (35MFD) [RC2] Capacitor, Run (40MFD) [RC2] | 024-23182-000 --- | --- 024-25860-000 --- | --- --- 024-23966-000 |
| 1 | 5 | Capacitor, Start [1SC1] | 024-25062-000 | 024-25062-000 | 024-25076-000 |
| 1 | 6 | Capacitor, Start [1SC2] | 024-25062-000 | 024-25071-000 | 024-25071-000 |
| 1 | 7 | Capacitor, Cap [1SC1] | 024-23291-001 | 024-23291-001 | 024-23291-001 |
| 1 | 8 | Capacitor, Cap [1SC2] | 024-23291-001 | 024-23291-003 | 024-23291-003 |
| 1 | 9 | Relay, Start [R1] | 024-25053-000 | 024-25053-000 | 024-25923-000 |
| 1 | 10 | Relay, Start [R2] | 024-25916-000 | 024-25053-000 | 024-25184-000 |
| 1 | 11 | Board, Control | 031-01155-000 | 031-01155-000 | 031-01155-000 |
| 1 | 12 | Contact, Electrical (2 Req'd) [C1,C2] | 024-27531-000 | 024-27531-000 | 024-27531-000 |
| 1 | 13 | Control, Low Pressure [LP] | 025-30266-000 | 025-30266-000 | 025-30266-000 |
| * | 14 | Control, High Pressure [HP] | 025-17620-026 | 025-17620-026 | 025-17620-026 |

| FIG | ITEM | DESCRIPTION | H1DS036S06B | H1DS048S06B | H1DS060S06B |
|-----|------|--------------------------------|---------------|---------------|---------------|
| 1 | 15 | Blade, Fan (24") | 026-32622-000 | 026-32622-000 | 026-32622-000 |
| 1 | 16 | Ring, Fan | 032-00000-000 | 032-00000-000 | 032-00000-000 |
| 1 | 17 | Coil, Outdoor | 373-10047-002 | 373-10047-002 | 373-11807-022 |
| 1 | 18 | Strainer, Drier | 029-17738-000 | 029-17738-000 | 029-17738-000 |
| 1 | 19 | Valve, Liquid | 022-08949-000 | 022-08949-000 | 022-08949-000 |
| 1 | 20 | Valve, Suction | 022-08963-000 | 022-08963-000 | 022-08963-000 |
| 1 | 21 | Base, Pan | 073-15336-000 | 073-15336-000 | 073-15336-000 |
| 1 | 22 | Conduit | 025-29018-000 | 025-29018-000 | 025-29018-000 |
| 1 | 23 | Cover, Electric Box | 073-05082-000 | 073-05082-000 | 073-05082-000 |
| 1 | 24 | Guard, Fan | 026-31698-001 | 026-31698-001 | 026-31698-001 |
| 1 | 25 | Panel, Bottom (Electric Box) | 063-94133-000 | 063-94133-000 | 063-94133-000 |
| 1 | 26 | Panel, Access | 073-05732-000 | 073-05732-000 | 073-05732-000 |
| 1 | 27 | Panel, Connection | 073-11852-000 | 073-11852-000 | 073-11852-000 |
| 1 | 28 | Panel Corner (3 Req'd) | 073-20729-000 | 073-20729-000 | 073-20729-000 |
| 1 | 29 | Panel, Electric Box | 073-10070-000 | 073-10070-000 | 073-10070-000 |
| 1 | 30 | Panel, Top | 073-05582-000 | 073-05582-000 | 073-05582-000 |
| 1 | 31 | Panel, Top (Electric Box) | 063-92845-000 | 063-92845-000 | 063-92845-000 |
| 1 | 32 | Post, Support | 073-05731-000 | 073-05731-000 | 073-05731-000 |
| * | 33 | Grommet, 1-1/4" | 028-10973-000 | 028-10973-000 | 028-10973-000 |
| * | 34 | Grommet, 11/16" | 028-11340-000 | 028-11340-000 | 028-11340-000 |
| 1 | 35 | Guard, Coil (1 Req'd) | 026-34588-000 | 026-34588-000 | 026-34588-000 |
| 1 | 36 | Guard, Coil (2 Req'd) | 026-34586-000 | 026-34586-000 | 026-34586-000 |
| 1 | 37 | Guard, Coil (1 Req'd) | 026-34587-000 | 026-34587-000 | 026-34587-000 |
| 1 | 38 | Isolator, Compressor (4 Req'd) | 028-10505-000 | 028-10505-000 | 028-10505-000 |
| * | 39 | Isolator, Unit | 028-12264-000 | 028-12264-000 | 028-12264-000 |
| * | 40 | Kit, Motor Mounting | 363-90117-700 | 363-90117-700 | 363-90117-700 |
| * | 41 | Blanket, Compressor | 010-05670-000 | 010-05670-000 | 010-05670-000 |
| * | 42 | Pad, Compressor | 010-05671-000 | 010-05671-000 | 010-05671-000 |
| * | 43 | Diagram, Wiring | 035-10806-000 | 035-10806-000 | 035-10806-000 |
| 1 | 44 | Clip, Retainer (Liquid) | 021-17438-000 | 021-17438-000 | 021-17438-000 |
| 1 | 45 | Clip, Retainer (Suction) | 021-17429-000 | 021-17429-000 | 021-17429-000 |
| * | 46 | Clamp Loop, Conduit | 021-17302-000 | 021-17302-000 | 021-17302-000 |

NOTE: *Not Shown
New replacement parts shown in **bold** face type at the first printing of parts list dated 7/03.
Major components and suggested stocking items are shown with shaded item number. 
"←" Across from row indicates a change in that row.
--- Not applicable to specified model.

TO ORDER AUTHORIZED FACTORY REPLACEMENT PARTS - Contact your Source1 HVAC Parts Distributor or visit our website at www.Source1Parts.com for a Distributor and Dealer listing.

Appends:550.37-RP1Y (594)