



www.Source1Parts.com

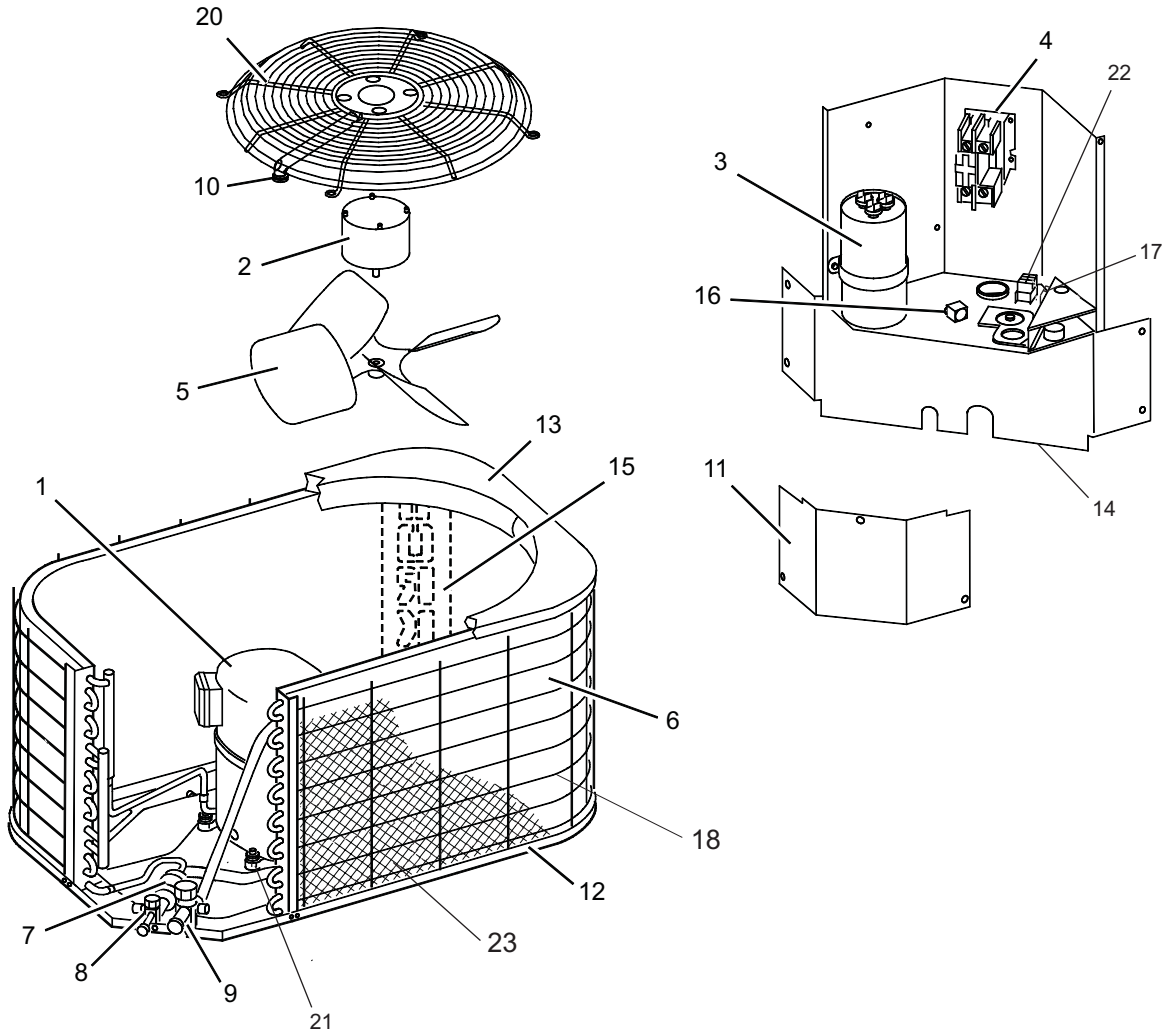
H*RA SERIES, 10 SEER, 1PH & 3PH AIR CONDITIONER- OUTDOOR UNIT

HVAC SERVICE PARTS

Supersedes:035-13607-001 Rev. C (302)

035-13607-001 Rev. D (0902)

1 of 8



208/230 VOLT SINGLE PHASE 60 HZ					
ITEM	DESCRIPTION	H1RA018S06D	H1RA024S06D	H2RA030S06D	H2RA036S06E
1	Compressor, Hermetic	015-02152-004	015-02153-004	015-02716-004	015-03421-004
1A*	Compressor Plug Harness	025-31883-000	025-31883-000	025-31883-000	025-31883-000
2	Motor, Direct Drive Fan	024-26067-010	024-26067-010	024-26067-010	024-26020-000
3	Capacitor, Run (25/5MFD) [RC]	024-23997-000	---	---	---
	Capacitor, Run (30/5MFD) [RC]	---	024-24778-000	---	---
	Capacitor, Run (35/5MFD) [RC]	---	---	024-25859-000	---
	Capacitor, Run (45/5MFD) [RC]	---	---	---	024-25895-000
4	Contactor, Electrical (30 AMP) [M]	024-27531-000	024-27531-000	024-27531-000	024-27531-000
5	Blade, Fan (18")	026-34091-000	026-34091-000	026-34091-000	026-34092-000
6	Coil, Condenser	373-19800-001	373-19800-001	373-19800-002	373-19800-002
7	Drier, Filter	029-22156-000	029-22156-000	029-22156-000	029-22156-000
8	Valve, Liquid (3/8")	025-31899-000	025-31899-000	025-31899-000	025-31899-000
9	Valve, Suction (3/4")	025-31900-000	025-31900-000	025-31900-000	025-31900-000
10	Wireway	028-13215-000	028-13215-000	028-13215-000	028-13215-000
11	Cover, Electrical Box	2218-1151/A	2218-1151/A	2218-1151/A	2218-1151/A
12	Pan, Base	2218-1011	2218-1011	2218-1011	2218-1011
13	Panel, Top	2218-1021/A	2218-1021/A	2218-1021/A	2218-1021/A
14	Plate, Blockoff	2218-1081/B	2218-1081/B	2236-1081/B	2236-1081/B
15	Panel, Corner	073-15606-111	073-15606-111	073-15606-112	073-15606-112
16	Lug, Ground	1216-229	1216-229	1216-229	1216-229
17	Relief, Strain	1216-235	1216-235	1216-235	1216-235
18	Guard, Coil (2 Req'd)	026-34536-000	026-34536-000	026-34537-000	026-34537-000
19					
20	Guard, Fan	026-35511-018	026-35511-018	026-35511-018	026-35511-018
21	Mount, Cushion (Pkg. of 4)	9435-1081	9435-1081	9435-1081	9435-1081
22	Plug, Electrical	025-33306-006	025-33306-006	025-33306-006	025-33306-006
23	Guard, Wire Mesh Coil	028-14725-000	028-14725-000	028-14726-000	028-14726-000
24*	Diagram, Wiring	035-15861-501	035-15861-501	035-15861-501	035-15861-501
25*	Orifice (.053)	029-19387-002	---	---	---
	Orifice (.055)	029-19387-014	---	---	---
	Orifice (.051)	029-19387-021	---	---	---
	Orifice (.061)	---	029-19387-003	---	---
	Orifice (.059)	---	029-19387-010	---	---
	Orifice (.063)	---	029-19387-015	---	---
	Orifice (.067)	---	---	029-19387-016	---
	Orifice (.073)	---	---	---	029-19387-005
	Orifice (.075)	---	---	---	029-19387-017
Orifice (.071)	---	---	---	029-19387-029	
26*	Kit, Motor Mounting (Acorn Nuts)	363-90117-700	363-90117-700	363-90117-700	363-90117-700

<

NOTE: *Not Shown
 New replacement parts shown in **bold** face type at the first printing of parts list dated 9/02.
 Major components and suggested stocking items are shown with shaded item number.
 “<” Across from row indicates a change in that row.
 --- Not applicable to specified model.



208/230 VOLT SINGLE PHASE 60 HZ					
ITEM	DESCRIPTION	H1RA042S06D	H1RA048S06D	H3RA060S06A	H3RA060S06B
1	Compressor, Hermetic	015-02783-004	015-02784-004	015-02900-004	015-03406-004
1A*	Compressor Plug Harness	025-31883-000	025-31884-000	---	---
2	Motor, Direct Drive Fan	024-26020-000	024-27596-000	024-27596-000	024-27596-000
3	Capacitor, Run (35/5) [RC]	024-25859-000	---	---	---
	Capacitor, Run (40/5) [RC]	---	024-25894-000	---	---
	Capacitor, Run (55/5) [RC]	---	---	024-25511-000	024-25511-000
4	Contact, Electrical (30 Amp) [M]	024-27531-000	024-27531-000	---	---
	Contact, Electrical (40 Amp) [M]	---	---	024-25837-000	024-25837-000
5	Blade, Fan (18")	026-34092-000	---	---	---
	Blade, Fan (22")	---	026-34593-000	026-34094-000	026-34094-000
6	Coil, Condenser	373-19800-003	373-19800-004	373-19800-018	373-19800-018
7	Drier, Filter	029-22157-000	029-22157-000	029-22157-000	029-22157-000
8	Valve, Liquid (3/8")	025-31899-000	025-31899-000	025-31899-000	025-31899-000
9	Valve, Suction (3/4")	025-31900-000	---	---	---
	Valve, Suction (7/8")	---	025-31901-000	025-31901-000	025-31901-000
10	Wireway	028-13215-000	028-13216-000	028-13216-000	028-13216-000
11	Cover, Electrical Box	2218-1151/A	2218-1151/A	2218-1151/A	2218-1151/A
12	Pan, Base	2218-1011	2260-1011	2260-1011	2260-1011
13	Panel, Top	2218-1021/A	2260-1021/A	2260-1021/A	2260-1021/A
14	Plate, Blockoff	2242-1081/B	2248-1081/B	2248-1081/B	2248-1081/B
15	Panel, Corner	073-15606-113	073-15606-114	073-15606-114	073-15606-114
16	Lug, Ground	1216-229	1216-229	1216-229	1216-229
17	Relief, Strain	1216-235	1216-235	1216-235	1216-235
18	Guard, Coil (2 Req'd)	026-34538-000	026-34539-000	026-34539-000	026-34539-000
19					
20	Guard, Fan	026-35511-018	026-35511-022	026-35511-022	026-35511-022
21	Mount, Cushion (Pkg. of 4)	9435-1081	9435-1081	028-12355-000	028-12355-000
22	Plug, Electrical	025-33306-006	025-33306-006	025-33306-006	025-33306-006
23	Guard, Wire Mesh Coil	028-14727-000	028-14728-000	028-14728-000	028-14728-000
24*	Diagram, Wiring	035-15861-501	035-15861-501	035-15861-501	035-15861-501
25*	Orifice (.078)	029-19387-006	---	---	---
	Orifice (.081)	029-19387-012	---	---	---
	Orifice (.075)	029-19387-017	---	---	---
	Orifice (.087)	---	029-19387-007	---	---
	Orifice (.081)	---	029-19387-012	---	---
	Orifice (.084)	---	029-19387-019	---	---
	Orifice (.093)	---	---	029-19387-022	---
Orifice (.096)	---	---	---	029-19387-008	
26*	Kit, Motor Mounting (Acorn Nuts)	363-90117-700	363-90117-700	363-90117-700	363-90117-700

NOTE: *Not ShownNew replacement parts shown in **bold** face type at the first printing of parts list dated 9/02.

Major components and suggested stocking items are shown with shaded item number.

"←" Across from row indicates a change in that row.

--- Not applicable to specified model.

208/230 VOLT THREE PHASE 60 HZ					
ITEM	DESCRIPTION	H1RA036S25B	H1RA042S25A	H1RA048S25A	H1RA060S25A
1	Compressor, Hermetic	015-03434-004	015-03286-004	015-02964-004	015-02995-004
1A*	Compressor Plug Harness	---	---	---	---
2	Motor, Direct Drive Fan	024-26020-000	024-26020-000	024-27596-000	024-27596-000
3	Capacitor, Run (5MFD) [RC]	1499-4421	1499-4421	1499-4421	1499-4421
4	Contact, Electrical (30Amp) [M]	024-25842-000	024-25842-000	024-25842-000	024-25842-000
5	Blade, Fan (18") Blade, Fan (22")	026-34092-000 ---	026-34092-000 ---	--- 026-34593-000	--- 026-34094-000
6	Coil, Condenser	37319800002	37319800003	37319800004	37319800006
7	Drier, Filter	029-22156-000	029-22157-000	029-22157-000	029-22157-000
8	Valve, Liquid (3/8")	025-31899-000	025-31899-000	025-31899-000	025-31899-000
9	Valve, Suction (3/4") Valve, Suction (7/8")	025-31900-000 ---	025-31900-000 ---	--- 025-31901-000	--- 025-31901-000
10	Wireway	028-13215-000	028-13215-000	028-13216-000	028-13216-000
11	Cover, Electrical Box	2218-1151/A	2218-1151/A	2218-1151/A	2218-1151/A
12	Pan, Base	2218-1011	2218-1011	2260-1011	2260-1011
13	Panel, Top	2218-1021/A	2218-1021/A	2260-1021/A	2260-1021/A
14	Plate, Blockoff	2236-1081/B	2242-1081/B	2248-1081/B	2260-1081/B
15	Panel, Corner	073-15606-112	073-15606-113	073-15606-114	073-15606-117
16	Lug, Ground	1216-229	1216-229	1216-229	1216-229
17	Relief, Strain	1216-235	1216-235	1216-235	1216-235
18	Guard, Coil (2 Req'd)	026-34537-000	026-34538-000	026-34539-000	026-34542-000
19					
20	Guard, Fan	026-35511-018	026-35511-018	026-35511-022	026-35511-022
21	Mount, Cushion (Pkg. of 4)	9435-1081	9435-1081	9435-1081	028-12355-000
22	Plug, Electrical	025-33306-006	025-33306-006	025-33306-006	025-33306-006
23	Guard, Wire Mesh Coil	028-14726-000	028-14727-000	028-14728-000	028-14733-000
24*	Diagram, Wiring	035-15751-502	035-15751-502	035-15751-502	035-15751-502
25*	Orifice (.073)	02-19387-005	---	---	---
	Orifice (.067)	029-19387-016	---	---	---
	Orifice (.071)	029-19387-029	---	---	---
	Orifice (.078)	---	029-19387-006	---	---
	Orifice (.081)	---	029-19387-012	029-19387-012	---
	Orifice (.075)	---	029-19387-017	---	---
	Orifice (.090)	---	---	---	029-19387-013
25*	Kit, Motor Mounting (Acorn Nuts)	363-90117-700	363-90117-700	363-90117-700	363-90117-700

<

NOTE: *Not ShownNew replacement parts shown in **bold** face type at the first printing of parts list dated 9/02.

Major components and suggested stocking items are shown with shaded item number.

"←" Across from row indicates a change in that row.

--- Not applicable to specified model.



		208/230 V. 3 PH. 60 HZ		460 V. 3 PH. 60 HZ	
ITEM	DESCRIPTION	H1RA076S25A	H1RA090S25A	H1RA036S46B	H1RA042S46A
1	Compressor, Hermetic	015-02998-004	015-02906-001	015-03433-004	015-03287-004
1A*	Compressor Plug Harness	---	---	---	---
2	Motor, Direct Drive Fan	024-27624-000	024-27622-000	024-27532-000	024-27532-000
3	Capacitor, Run (5MFD) [RC]	1499-4421	---	1499-4421	1499-4421
	Capacitor, Run (15MFD) [RC]	---	1499-4621	---	---
4	Contactora, Electrical (30Amp) [M]	024-25842-000	024-25842-000	024-25842-000	024-25842-000
5	Blade, Fan (18")	---	---	026-34092-000	026-34092-000
	Blade, Fan (24")	026-35491-000	026-35492-000	---	---
6	Coil, Condenser	373-19011-630	373-19012-750	373-19800-002	373-19800-003
7	Drier, Filter	026-14777-012	026-14777-012	029-22156-000	029-22157-000
8	Valve, Liquid (3/8")	---	---	025-31899-000	025-31899-000
	Valve, Liquid (1/2")	023-18362-000	023-18362-000	---	---
9	Valve, Suction (3/4")	---	---	025-31900-000	025-31900-000
	Valve, Suction (1 1/8")	023-18363-000	023-18363-000	---	---
10	Wireway	028-13297-000	028-13297-000	028-13215-000	028-13215-000
11	Cover, Electrical Box	073-19009-101	073-19009-101	2218-1151/A	2218-1151/A
12	Pan, Base	073-19001-000	073-19001-000	2218-1011	2218-1011
13	Panel, Top	073-19002-101	073-19002-101	2218-1021/A	2218-1021/A
14	Plate, Blockoff	073-19008-124	073-19008-130	2236-1081/B	2242-1081/B
15	Panel, Corner	073-15606-114	073-15606-116	073-15606-112	073-15606-113
16	Lug, Ground	1216-229	1216-229	1216-229	1216-229
17	Relief, Strain	1216-235	1216-235	1216-235	1216-235
18	Guard, Coil (2 Req'd)	---	---	026-34537-000	026-34538-000
	Guard, Coil	026-35407-000	026-35408-000	---	---
19	Guard, Coil	026-35410-000	026-35411-000	---	---
20	Guard, Fan	026-35511-024	026-35511-024	026-35511-018	026-35511-018
21	Mount, Cushion (Pkg. of 4)	---	---	9435-1081	9435-1081
	Mount, Cushion (6 Req'd)	---	028-12355-000	---	---
	Mount, Cushion (4 Req'd)	028-12355-000	---	---	---
22	Plug, Electrical	025-33306-006	025-33306-006	025-33306-006	025-33306-006
23	Guard, Wire Mesh Coil	028-14729-000	028-14732-000	028-14726-000	028-14727-000
24*	Contactora (40 Amp)	---	024-25844-000	---	---
25*	Transformer	025-30376-000	025-30376-000	---	---
26*	Switch, Low Pressure	---	025-29055-000	---	---
27*	Switch, High Pressure	---	025-33305-048	---	---
28*	Diagram, Wiring	035-15843-502	035-15752-501	035-15751-502	035-15751-502
29*	Filler, Panel	073-19007-124	073-19007-130	---	---
30*	Orifice (.073)	---	---	029-19387-005	---
	Orifice (.067)	---	---	029-19387-016	---
	Orifice (.071)	---	---	029-19387-029	---
	Orifice (.078)	---	---	---	029-19387-006
	Orifice (.081)	---	---	---	029-19387-012
	Orifice (.075)	---	---	---	029-19387-017
31*	Kit, Motor Mounting (Acorn Nuts)	363-90117-700	363-90117-700	363-90117-700	363-90117-700

NOTE: *Not ShownNew replacement parts shown in **bold** face type at the first printing of parts list dated 9/02.

Major components and suggested stocking items are shown with shaded item number.

"←" Across from row indicates a change in that row.

--- Not applicable to specified model.

480 VOLT THREE PHASE 60 HZ					
ITEM	DESCRIPTION	H1RA048S46A	H1RA060S46A	H1RA076S46A	H1RA090S46A
1	Compressor, Hermetic	015-02965-004	015-02996-004	015-02999-004	015-02905-001
1A*	Compressor Plug Harness	---	---	---	---
2	Motor, Direct Drive Fan	024-27533-000	024-27534-000	024-27625-000	024-27623-000
3	Capacitor, Run (5MFD) [RC] Capacitor, Run (15MFD) [RC]	1499-4421 ---	1499-4421 ---	1499-4421 ---	--- 1499-4621
4	Contactora, Electrical (30Amp) [M]	024-25842-000	024-25842-000	024-25842-000	024-25842-000
5	Blade, Fan (22") Blade, Fan (24")	026-34593-000 ---	026-34094-000 ---	--- 026-35491-000	--- 026-35492-000
6	Coil, Condenser	373-19800-004	373-19800-006	373-19011-630	373-19012-750
7	Drier, Filter	029-22157-000	029-22157-000	026-14777-012	026-14777-012
8	Valve, Liquid (3/8") Valve, Liquid (1/2")	025-31899-000 ---	025-31899-000 ---	--- 023-18362-000	--- 023-18362-000
9	Valve, Suction (3/4") Valve, Suction (1 1/8")	025-31900-000 ---	025-31900-000 ---	--- 023-18363-000	--- 023-18363-000
10	Wireway	028-13216-000	028-13216-000	028-13297-000	028-13297-000
11	Cover, Electrical Box	2218-1151/A	2218-1151/A	073-19009-101	073-19009-101
12	Pan, Base	2260-1011	2260-1011	073-19001-000	073-19001-000
13	Panel, Top	2260-1021/A	2260-1021/A	073-19002-101	073-19002-101
14	Plate, Blockoff	2248-1081/B	2260-1081/B	073-19008-124	073-19008-130
15	Panel, Corner	073-15606-114	073-15606-117	073-15606-114	073-15606-116
16	Lug, Ground	1216-229	1216-229	1216-229	1216-229
17	Relief, Strain	1216-235	1216-235	1216-235	1216-235
18	Guard, Coil (2 Req'd) Guard, Coil	026-34539-000 ---	026-34542-000 ---	--- 026-35407-000	--- 026-35408-000
19	Guard, Coil	---	---	026-35410-000	026-35411-000
20	Guard, Fan	028-13216-000	026-35511-022	026-35511-024	026-35511-024
21	Mount, Cushion (Pkg. of 4) Mount, Cushion (4 Req'd) Mount, Cushion (6 Req'd)	9435-1081 -- ---	--- 028-12355-000 ---	--- 028-12355-000 ---	--- --- 028-12355-000
22	Plug, Electrical	025-33306-006	025-33306-006	025-33306-006	025-33306-006
23	Guard, Wire Mesh Coil	028-14728-000	028-14733-000	028-14729-000	028-14732-000
24*	Contactora (40 Amp)	---	---	---	024-25844-000
25*	Transformer	---	---	025-30377-000	025-30377-000
26*	Switch, Low Pressure	---	---	---	025-29055-000
27*	Switch, High Pressure	---	---	---	025-33305-048
28*	Diagram, Wiring	035-15751-502	035-15751-502	035-15843-502	035-15751-501
29*	Filler, Panel	---	---	073-19007-124	073-19007-130
30*	Orifice (.081) Orifice (.907)	029-19387-012 ---	--- 029-19387-013	--- ---	--- ---
31*	Kit, Motor Mounting (Acorn Nuts)	363-90117-700	363-90117-700	363-90117-700	363-90117-700

NOTE: *Not ShownNew replacement parts shown in **bold** face type at the first printing of parts list dated 9/02.

Major components and suggested stocking items are shown with shaded item number.

"←" Across from row indicates a change in that row.

--- Not applicable to specified model.

NOTES

TO ORDER AUTHORIZED FACTORY REPLACEMENT PARTS - Contact your Source1 HVAC Parts Distributor or visit our website at www.Source1Parts.com for a Distributor and Dealer listing.