



www.Source1Parts.com

H4DB & H5DB SERIES - 10 SEER , 1 PH & 3 PH SPLIT SYSTEM, COOLING, OUTDOOR SECTION

HVAC SERVICE PARTS

Supersedes:035-15833-001 Rev. F (0703)

035-15833-001 Rev. G (0504)

1 of 8

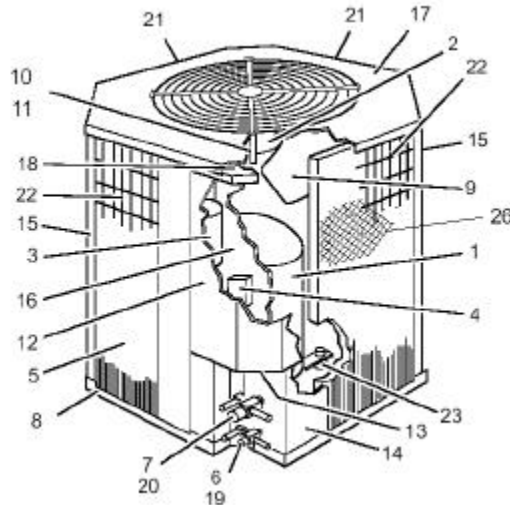


FIGURE 1 -SPLIT SYSTEM, COOLING, OUTDOOR SECTION

FIG	ITEM	DESCRIPTION	H4DB012S06A	H4DB018S06A	H4DB024S06A	H4DB030S06A
1	1	Compressor, Hermetic	015-02081-007	015-02152-004	015-02688-004	015-03432-004
*	1A	Harness, Compressor	373-22279-001	373-22279-001	373-22279-001	373-22279-001
1	2	Motor, Fan	024-27551-000	024-27668-010	024-27551-000	024-27551-000
1	3	Capacitor, Run (20/5MFD/370V) [RC]	024-23996-000	---	---	---
		Capacitor, Run (25/5MFD/370V) [RC]	---	024-23997-000	---	---
		Capacitor, Run (30/5MFD/370V) [RC]	---	---	024-24778-000	---
		Capacitor, Run (35/5MFD/370V) [RC]	---	---	---	024-23998-000
1	4	Contact, Electrical (30 amp) [M]	024-27531-000	024-27531-000	024-27531-000	024-27531-000
1	5	Coil, Outdoor	373-03978-007	373-03978-007	373-16854-001	373-11908-008
1	6	Valve, Liquid (3/8")	022-08949-000	022-08949-000	022-08949-000	022-08949-000
1	7	Valve, Suction (5/8")	022-08958-000	022-08958-000	022-08958-000	---
		Valve, Suction (3/4")	---	---	---	022-08962-000
1	8	Base, Pan	073-21123-001	073-21123-001	073-21123-001	073-21123-001
1	9	Blade, Fan	026-34754-000	026-34091-000	026-34754-000	026-34754-000
1	10	Conduit	025-25481-000	025-25481-000	025-25481-000	025-25481-000
1	11	Clip, Conduit	021-17302-000	021-17302-000	021-17302-000	021-17302-000
1	12	Cover, Electric Box	073-21135-001	073-21135-001	073-21135-001	073-21136-001
1	13	Panel, Bottom (Electric Box)	063-94133-000	063-94133-000	063-94133-000	063-94133-000
1	14	Panel, Connection	073-21128-001	073-21128-001	073-21128-001	073-21128-001
1	15	Panel Corner (3 Req'd)	073-21130-001	073-21130-001	073-21130-001	073-21131-001
1	16	Panel, Electric Box	073-11646-001	073-11646-001	073-11646-001	073-11646-002
1	17	Panel, Top	073-21124-001	073-21124-001	073-21124-001	073-21124-001
1	18	Panel, Top (Electric Box)	063-92845-000	063-92845-000	063-92845-000	063-92845-000
1	19	Clip, Retaining (Liquid)	021-17438-000	021-17438-000	021-17438-000	021-17438-000
1	20	Clip, Retaining (Suction)	021-17429-000	021-17429-000	021-17429-000	021-17429-000
1	21	Guard, Coil (2 Req'd)	026-35555-000	026-35555-000	026-35555-000	026-35557-000
1	22	Guard, Coil (2 Req'd)	026-35556-000	026-35556-000	026-35556-000	026-35558-000
1	23	Isolator, Compressor (4 Req'd)	028-10190-000	028-10190-000	028-10190-000	028-10190-000
*	24	Kit, Motor Mounting	363-90117-000	363-90117-000	363-90117-000	363-90117-000
*	25	Diagram, Wiring	035-14472-000	035-14472-000	035-14472-000	035-14472-000
1	26	Coil Guard, Plastic Mesh	028-14794-000	028-14794-000	028-14794-000	028-14795-000
*	27	Connection Liquid w/Filter	026-35584-000	026-35584-000	026-35584-000	026-35584-000

NOTE: *Not Shown

New replacement parts shown in **bold** face type at the first printing of parts list dated 5/04.

Major components and suggested stocking items are shown with shaded item number.

"<" Across from row indicates a change in that row.

--- Not applicable to specified model.

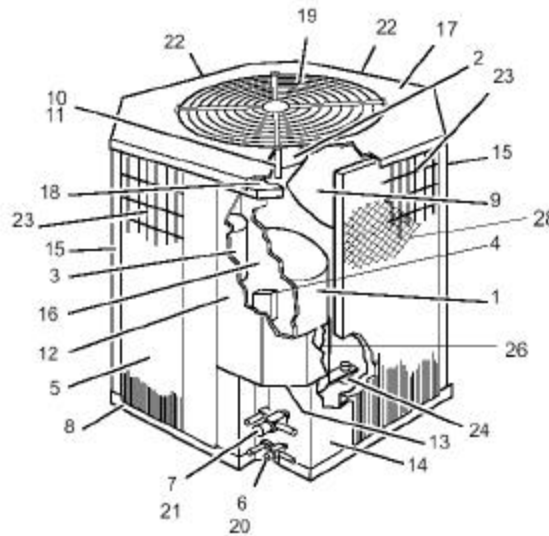


FIGURE 2 -SPLIT SYSTEM, COOLING, OUTDOOR SECTION

FIG	ITEM	DESCRIPTION	H4DB036S06A	H4DB036S25A	H4DB036S46A	H5DB042S06A
2	1	Compressor, Hermetic	015-03425-001	015-03437-001	015-03436-001	015-03285-001
*	1A	Harness, Compressor	373-22279-002	373-22355-002	373-22355-002	373-22279-002
2	2	Motor, Fan	024-31952-000	024-31952-000	024-25050-000	024-27551-000
2	3	Capacitor, Run (5MFD/370V) [RC]	---	024-21057-000	024-21057-000	---
		Capacitor, Run (45/5MFD/370V) [RC]	024-25895-000	---	---	---
		Capacitor, Run (55/5MFD/440V) [RC]	---	---	---	024-25511-000
2	4	Contacting , Electrical (30 amp) [M]	024-27531-000	024-25842-000	024-25842-000	024-27531-000
2	5	Coil, Outdoor	373-11908-008	373-11908-008	373-11908-008	373-11989-004
2	6	Valve, Liquid (3/8")	022-08949-000	022-08949-000	022-08949-000	022-08949-000
2	7	Valve, Suction (3/4")	022-08962-000	022-08962-000	022-08962-000	---
		Valve, Suction (7/8")	---	---	---	022-08963-000
2	8	Base, Pan	073-21123-001	073-21123-001	073-21123-001	073-21123-001
2	9	Blade, Fan	026-31137-000	026-31137-000	026-31137-000	026-34754-000
2	10	Conduit	025-25481-000	025-25481-000	025-25481-000	025-25481-000
2	11	Clip, Conduit	021-17302-000	026-35580-000	026-35580-000	021-17302-000
2	12	Cover, Electric Box	073-21136-001	073-21136-001	073-21136-001	073-21137-001
2	13	Panel, Bottom (Electric Box)	063-94133-000	063-94133-000	063-94133-000	063-94133-000
2	14	Panel, Connection	073-21128-001	073-21128-001	073-21128-001	073-21128-001
2	15	Panel Corner (3 Req'd)	073-21131-001	073-21131-001	073-21131-001	073-21132-001
2	16	Panel, Electric Box	073-11646-002	073-11646-002	073-11646-002	073-11646-006
2	17	Panel, Top	073-21124-001	073-21122-001	073-21122-001	073-21124-001
2	18	Panel, Top (Electric Box)	063-92845-000	063-92845-000	063-92845-000	063-92845-000
2	19	Guard, Fan	---	026-34759-003	026-34759-003	---
2	20	Clip, Retaining (Liquid)	021-17438-000	021-17438-000	021-17438-000	021-17438-000
2	21	Clip, Retaining (Suction)	021-17429-000	021-17429-000	021-17429-000	021-17429-000
2	22	Guard, Coil (2 Req'd)	026-35557-000	026-35557-000	026-35557-000	026-35559-000
2	23	Guard, Coil (2 Req'd)	026-35558-000	026-35558-000	026-35558-000	026-35560-000
2	24	Isolator, Compressor (4 Req'd)	028-10190-000	028-10190-000	028-10190-000	028-10190-000
*	25	Kit, Motor Mounting	363-90117-000	363-90117-000	363-90117-000	363-90117-000
2	26	Blanket, Compressor	010-04621-000	010-04621-000	010-04621-000	010-06249-000
*	27	Diagram, Wiring	035-14472-000	035-14473-001	035-14473-001	035-14472-000
2	28	Coil Guard, Plastic Mesh	028-14795-000	028-14795-000	028-14795-000	028-14797-000
*	29	Connection Liquid w/Filter	026-35584-000	026-35584-000	026-35584-000	026-35584-000

NOTE: *Not Shown
 New replacement parts shown in **bold** face type at the first printing of parts list dated 5/04.
 Major components and suggested stocking items are shown with shaded item number.
 "<" Across from row indicates a change in that row.
 --- Not applicable to specified model.



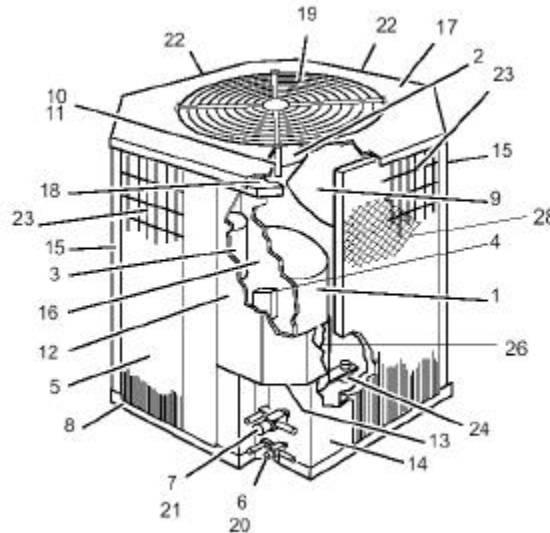


FIGURE 3 -SPLIT SYSTEM, COOLING, OUTDOOR SECTION

FIG	ITEM	DESCRIPTION	H5DB048S06A	H5DB048S25A	H5DB048S46A	H5DB048S58A
3	1	Compressor, Hermetic	015-02793-004	015-02992-004	015-02993-004	015-02994-004
*	1A	Harness, Compressor	373-22282-001	373-22355-001	373-22355-001	373-22355-001
3	2	Motor, Fan	024-31952-000	024-31952-000	024-25050-000	024-26008-000
3	3	Dual Capacitor (50/5MFD/440V) [RC] Dual Capacitor (5MFD/370V) [RC]	024-25896-000 ---	---	---	---
3	4	Contactor, Electrical (30 amp) [M]	024-27531-000	024-25842-000	024-25842-000	024-25842-000
3	5	Coil, Outdoor	373-22352-001	373-22352-001	373-22352-001	373-22352-001
3	6	Valve, Liquid (3/8")	022-08949-000	022-08949-000	022-08949-000	022-08949-000
3	7	Valve, Suction (7/8")	022-08963-000	022-08963-000	022-08963-000	022-08963-000
3	8	Base, Pan	073-21123-001	073-21123-001	073-21123-001	073-21123-001
3	9	Blade, Fan	026-31137-000	026-31137-000	026-31137-000	026-31137-000
3	10	Conduit	025-25481-000	028-13367-000	028-13367-000	028-13367-000
3	11	Clip, Conduit	021-17302-000	026-35580-000	026-35580-000	026-35580-000
3	12	Cover, Electric Box	073-21137-001	073-21137-001	073-21137-001	073-21137-001
3	13	Panel, Bottom (Electric Box)	063-94133-000	063-94133-000	063-94133-000	063-94133-000
3	14	Panel, Connection	073-21128-001	073-21128-001	073-21128-001	073-21128-001
3	15	Panel Corner (3 Req'd)	073-21132-001	073-21132-001	073-21132-001	073-21132-001
3	16	Panel, Electric Box	073-11646-006	073-11646-006	073-11646-006	073-11646-006
3	17	Panel, Top	073-21124-001	073-21122-001	073-21122-001	073-21122-001
3	18	Panel, Top (Electric Box)	063-92845-000	063-92845-000	063-92845-000	063-92845-000
3	19	Guard, Fan	---	026-34759-003	026-34759-003	026-34759-003
3	20	Clip, Retaining (Liquid)	021-17438-000	021-17438-000	021-17438-000	021-17438-000
3	21	Clip, Retaining (Suction)	021-17429-000	021-17429-000	021-17429-000	021-17429-000
3	22	Guard, Coil (2 Req'd)	026-35559-000	026-35559-000	026-35559-000	026-35559-000
3	23	Guard, Coil (2 Req'd)	026-35560-000	026-35560-000	026-35560-000	026-35560-000
3	24	Isolator, Compressor (4 Req'd)	028-10190-000	028-10190-000	028-10190-000	028-10190-000
*	25	Kit, Motor Mounting	363-90117-000	363-90117-000	363-90117-000	363-90117-000
3	26	Blanket, Compressor	010-06260-000	010-06260-000	010-06260-000	010-06260-000
*	27	Diagram, Wiring	035-14472-000	035-14473-001	035-14473-001	035-14473-001
3	28	Coil Guard, Plastic Mesh	028-14797-000	028-14797-000	028-14797-000	028-14797-000
*	29	Connection Liquid w/Filter	026-35584-000	026-35584-000	026-35584-000	026-35584-000

NOTE: *Not ShownNew replacement parts shown in **bold** face type at the first printing of parts list dated 5/04.

Major components and suggested stocking items are shown with shaded item number.

"←" Across from row indicates a change in that row.

--- Not applicable to specified model.

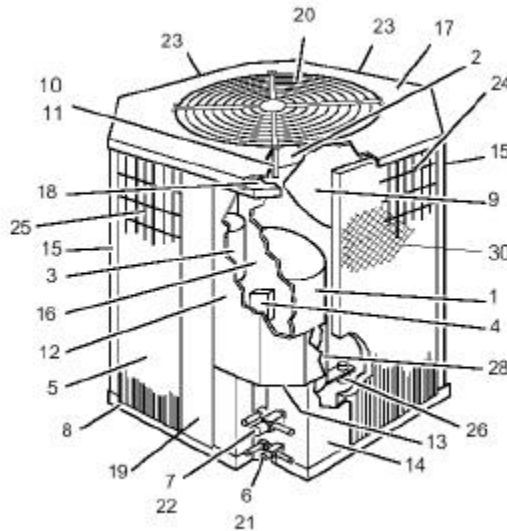


FIGURE 4 - SPLIT SYSTEM, COOLING, OUTDOOR SECTION

FIG	ITEM	DESCRIPTION	H4DB060S06A	H4DB060S25A	H4DB060S46A	H4DB060S58A
4	1	Compressor, Hermetic	015-02900-004	015-02914-004	015-02915-004	015-02916-004
*	1A	Harness, Compressor	373-22354-001	373-22355-001	373-22355-001	373-22355-001
4	2	Motor, Fan	024-25119-000	024-25119-000	024-25121-000	024-25122-000
4	3	Dual Capacitor (55/5MFD/440V)	024-25511-000	---	---	---
		Dual Capacitor (5MFD/370V)	---	024-21057-000	024-21057-000	024-21057-000
4	4	Contactor, Electrical (30 amp)	---	024-25842-000	024-25842-000	024-25842-000
		Contactor, Electrical (40 amp)	024-25837-000	---	---	---
4	5	Coil, Outdoor	373-12214-003	373-12214-003	373-12214-003	373-12214-003
4	6	Valve, Liquid (3/8")	022-08949-000	022-08949-000	022-08949-000	022-08949-000
4	7	Valve, Suction (7/8")	022-08963-000	022-08963-000	022-08963-000	022-08963-000
4	8	Base, Pan	073-21126-001	073-21126-001	073-21126-001	073-21126-001
4	9	Blade, Fan	026-31361-000	026-31361-000	026-31361-000	026-31361-000
4	10	Conduit	028-13368-000	028-13368-000	028-13368-000	028-13368-000
4	11	Clip, Conduit	021-17302-000	021-17302-000	021-17302-000	021-17302-000
4	12	Cover, Electric Box	073-21137-001	073-21137-001	073-21137-001	073-21137-001
4	13	Panel, Bottom (Electric Box)	063-94133-000	063-94133-000	063-94133-000	063-94133-000
4	14	Panel, Connection	073-21128-001	073-21128-001	073-21128-001	073-21128-001
4	15	Panel Corner	073-21132-001	073-21132-001	073-21132-001	073-21132-001
4	16	Panel, Electric Box	073-11646-006	073-11646-006	073-11646-006	073-11646-006
4	17	Panel, Top	073-21125-001	073-21125-001	073-21125-001	073-21125-001
4	18	Panel, Top (Electric Box)	063-92845-000	063-92845-000	063-92845-000	063-92845-000
4	19	Panel, Access	073-21140-001	073-21140-001	073-21140-001	073-21140-001
4	20	Guard, Fan	026-31698-004	026-31698-004	026-31698-004	026-31698-004
4	21	Clip, Retaining (Liquid)	021-17438-000	021-17438-000	021-17438-000	021-17438-000
4	22	Clip, Retaining (Suction)	021-17429-000	021-17429-000	021-17429-000	021-17429-000
4	23	Guard, Coil (2 Req'd)	026-35565-000	026-35565-000	026-35565-000	026-35565-000
4	24	Guard, Coil	026-35566-000	026-35566-000	026-35566-000	026-35566-000
4	25	Guard, Coil	026-35567-000	026-35567-000	026-35567-000	026-35567-000
4	26	Isolator, Compressor (4 Req'd)	028-10190-000	028-10190-000	028-10190-000	028-10190-000
*	27	Kit, Motor Mounting	363-90117-000	363-90117-000	363-90117-000	363-90117-000
4	28	Blanket, Compressor	010-06228-000	010-06228-000	010-06228-000	010-06228-000
*	29	Diagram, Wiring	035-14472-000	035-14473-001	035-14473-001	035-14473-001
4	30	Coil Guard, Plastic Mesh	028-14799-000	028-14799-000	028-14799-000	028-14799-000
*	31	Connection Liquid w/Filter	026-35585-000	026-35585-000	026-35585-000	026-35585-000

NOTE: *Not Shown
 New replacement parts shown in **bold** face type at the first printing of parts list dated 5/04.
 Major components and suggested stocking items are shown with shaded item number.
 "<" Across from row indicates a change in that row.
 --- Not applicable to specified model.



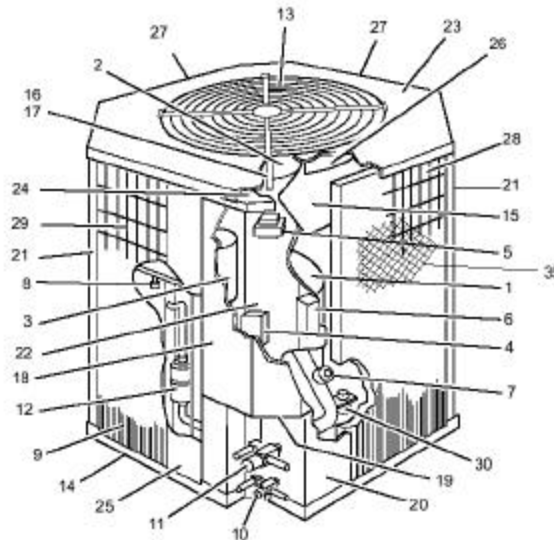


FIGURE 5 - SPLIT SYSTEM, COOLING, OUTDOOR SECTION

FIG	ITEM	DESCRIPTION	H4DB076S25A	H4DB076S25B	H4DB076S46A	H4DB076S46B	H4DB076S58A
5	1	Compressor, Hermetic	015-02669-007	015-02998-004	015-02670-007	015-02999-004	015-02674-007
*	1A	Harness, Compressor	373-23500-028	373-23500-028	373-23500-028	373-23500-028	373-22300-001
5	2	Motor, Fan	024-25820-000	024-25820-000	024-25913-000	024-25913-000	024-25914-000
5	3	Dual Capacitor (10MFD/370V [RC])	024-25908-000	024-25908-000	024-25908-000	024-25908-000	---
		Dual Capacitor (6MFD/370V [RC])	---	---	---	---	024-25943-000
5	4	Contactor, Electrical (30 amp) [M]	024-25842-000	024-25842-000	024-25842-000	024-25842-000	024-25842-000
5	5	Transformer	025-30376-000	025-30376-000	025-30377-000	025-30377-000	025-30379-000
5	6	Module, Compressor Control	031-01204-000	031-01204-000	031-01204-000	031-01204-000	031-01204-000
5	7	Control, Pressure (LP)	025-29055-000	025-29055-000	025-29055-000	025-29055-000	025-29055-000
5	8	Control, Pressure (HP)	025-33305-048	025-33305-048	025-33305-048	025-33305-048	025-33305-048
5	9	Coil, Outdoor	373-22102-001	373-22102-001	373-22102-001	373-22102-001	373-22102-001
5	10	Valve, Liquid (3/8")	022-08949-000	022-08949-000	022-08949-000	022-08949-000	022-08949-000
5	11	Valve, Suction (7/8")	022-08963-000	022-08963-000	022-08963-000	022-08963-000	022-08963-000
5	12	Drier, Filter	026-14777-012	026-14777-012	026-14777-012	026-14777-012	026-14777-012
5	13	Guard, Fan	026-31698-004	026-31698-004	026-31698-004	026-31698-004	026-31698-004
5	14	Base, Pan	073-21126-001	073-21126-001	073-21126-001	073-21126-001	073-21126-001
5	15	Blade, Fan	026-32632-000	026-32632-000	026-32632-000	026-32632-000	026-32632-000
5	16	Conduit	028-13368-000	028-13368-000	028-13368-000	028-13368-000	028-13368-000
5	17	Clip, Conduit	021-17302-000	021-17302-000	021-17302-000	021-17302-000	021-17302-000
5	18	Cover, Electric Box	073-21137-001	073-21137-001	073-21137-001	073-21137-001	073-21137-001
5	19	Panel, Bottom (Electric Box)	063-94133-000	063-94133-000	063-94133-000	063-94133-000	063-94133-000
5	20	Panel, Connection	073-21128-001	073-21128-001	073-21128-001	073-21128-001	073-21128-001
5	21	Panel Corner (3 Req'd)	073-21132-001	073-21132-001	073-21132-001	073-21132-001	073-21132-001
5	22	Panel, Electric Box	073-16756-000	073-16756-000	073-16756-000	073-16756-000	073-16756-000
5	23	Panel, Top	073-21125-001	073-21125-001	073-21125-001	073-21125-001	073-21125-001
5	24	Panel, Top (Electric Box)	063-92845-000	063-92845-000	063-92845-000	063-92845-000	063-92845-000
5	25	Panel, Access	073-21140-001	073-21140-001	073-21140-001	073-21140-001	073-21140-001
5	26	Ring, Inlet	032-00183-000	032-00183-000	032-00183-000	032-00183-000	032-00183-000
5	27	Guard, Coil (2 Req'd)	026-35565-000	026-35565-000	026-35565-000	026-35565-000	026-35565-000
5	28	Guard, Coil	026-35566-000	026-35566-000	026-35566-000	026-35566-000	026-35566-000
5	29	Guard, Coil	026-35567-000	026-35567-000	026-35567-000	026-35567-000	026-35567-000
5	30	Isolator, Compressor (4 Req'd)	028-10505-000	028-10505-000	028-10505-000	028-10505-000	028-10505-000
*	31	Kit, Motor Mounting	363-90117-000	363-90117-000	363-90117-000	363-90117-000	363-90117-000
*	32	Diagram, Wiring	035-14468-000	035-14468-000	035-14468-000	035-14468-000	035-14468-000
*	33	Clip, Retaining (Liquid)	021-17438-000	021-17438-000	021-17438-000	021-17438-000	021-17438-000
*	34	Clip, Retaining (Suction)	021-17429-000	021-17429-000	021-17429-000	021-17429-000	021-17429-000
5	35	Coil Guard, Plastic Mesh	---	028-14799-000	---	028-14799-000	028-14799-000

NOTE: *Not Shown
 New replacement parts shown in **bold** face type at the first printing of parts list dated 5/04.
 Major components and suggested stocking items are shown with shaded item number.
 "<" Across from row indicates a change in that row.
 --- Not applicable to specified model.

Field Installed Accessories - Non-Electrical		
Part Number	Description	Used With
026-32140-000	Compressor Blanket	012
026-32141-000	Compressor Blanket	018, 024
026-32621-000	Compressor Blanket	030, 036
Field Installed Accessories - Electrical		
Part Number	Description	Used With
2LA06700224	Low Ambient Kit	All Models
2PS06700324	Refrigerant Safety Kit	All Models
2TD06700124	Thermostat, Outdoor	Provides Additional Staging
2SA06705206	Hard Start Kit	012
2SA06704006	Hard Start Kit	018
2SA06704106	Hard Start Kit	024
2SA06705906	Hard Start Kit	030
2SA06705506	Hard Start Kit	036
2SA06705806	Hard Start Kit	042
2SA06705606	Hard Start Kit	048
2SA06705706	Hard Start Kit	060

NOTES

TO ORDER AUTHORIZED FACTORY REPLACEMENT PARTS - Contact your Source1 HVAC Parts Distributor or visit our website at www.Source1Parts.com for a Distributor and Dealer listing.