

FIG	ITEM	DESCRIPTION	H1RE024S06D	H1RE030S06D	H1RE036S06D	H1RE042S06D	H1RE048S06D	
1	1	Compressor, Hermetic	015-02758-004	015-02759-004	015-02761-004	015-02764-004	015-02773-004	
*	1A	Compressor Plug Harness	025-31884-000	025-31885-000	025-31884-000	1450-6111	1450-6111	
1	2	Motor, Direct Drive Fan	024-26029-000	024-27596-000	024-27596-000	024-27596-000	024-27596-000	
1	3	Capacitor, Start	024-25215-000	024-25215-000	024-25191-000	024-25191-000	024-25191-000	
1	4	Capacitor, Run (35/5MFD) [RC]	024-23998-000	024-23998-000	---	---	---	
		Capacitor, Run (45/5MFD) [RC]	---	---	024-25895-000	---	---	
		Capacitor, Run (50/5MFD)[RC]	---	---	---	024-25338-000	---	
		Capacitor, Run (60/5MFD)[RC]	---	---	---	---	024-25033-000	
1	5	Contact, Electrical (30 AMP) [M]	024-27531-000	024-27531-000	024-27531-000	024-27531-000	024-27531-000	
1	6	Relay, Start	1497-4111	024-25923-000	024-26024-000	024-26024-000	024-26024-000	<
	7							<
1	8	Blade, Fan (22")	026-34097-000	026-34593-000	026-34593-000	026-34593-000	026-34593-000	<
1	9	Coil, Condenser	373-19800-007	373-19800-008	373-19800-008	9442-7261	9448-7261	<
1	10	Drier, Filter	029-22157-000	026-34095-000	026-34095-000	026-34095-000	026-34095-000	<
1	11	Valve, Liquid (3/8")	025-31899-000	025-31899-000	025-31899-000	025-31899-000	025-31899-000	
1	12	Valve, Suction (7/8")	025-31901-000	025-31901-000	025-31901-000	025-31901-000	025-31901-000	
1	13	Wireway	028-13216-000	028-13216-000	028-13216-000	028-13216-000	028-13216-000	
1	14	Cover, Electrical Box	2218-1151/A	2218-1151/A	2218-1151/A	2218-1151/A	2218-1151/A	<
1	15	Pan, Base	2260-1011	2260-1011	2260-1011	2260-1011	2260-1011	<
1	16	Panel, Top	2260-1021/A	2260-1021/A	2260-1021/A	2260-1021/A	2260-1021/A	<
1	17	Plate, Blockoff	3948-1081/B	2260-1081/B	2260-1081/B	2260-1081/B	2260-1081/B	<
1	18	Panel, Corner	073-15606-116	073-15606-117	073-15606-117	073-15606-117	073-15606-117	<
1	19	Lug, Ground	1216-229	1216-229	1216-229	1216-229	1216-229	<
1	20	Relief, Strain	1216-235	1216-235	1216-235	1216-235	1216-235	<
1	21	Guard, Coil (2 Req'd)	026-34541-000	026-34542-000	026-34542-000	026-34542-000	026-34542-000	<
	22							<
1	23	Guard, Fan	026-35511-022	026-35511-022	026-35511-022	026-35511-022	026-35511-022	<
1	24	Mount, Cushion (Pkg. of 4)	9435-1081	9435-1081	---	---	---	<
		Mount, Cushion (4 Req'd)	---	---	028-12355-000	028-12355-000	028-12355-000	<
1	25	Plug, Electrical	025-33306-006	025-33306-006	025-33306-006	025-33306-006	025-33306-006	<
*	26	Blanket, Compressor	010-04620-000	010-04620-000	---	---	---	
1	27	Guard, Wire Mesh Coil	028-14731-000	025-14733-000	025-14733-000	---	---	<
*	28	Diagram, Wiring	035-15861-501	035-15861-501	035-15861-501	035-15771-501	035-15861-501	<
*	29*	Nut, Acorn (4 Req'd)	021-16829-000	021-16829-000	021-16829-000	021-16829-000	021-16829-000	<

NOTE: *Not Shown
 New replacement parts shown in **bold** face type at the first printing of parts list dated 4/02.
 Major components and suggested stocking items are shown with shaded item number.
 "<" Across from row indicates a change in that row.
 --- Not applicable to specified model.



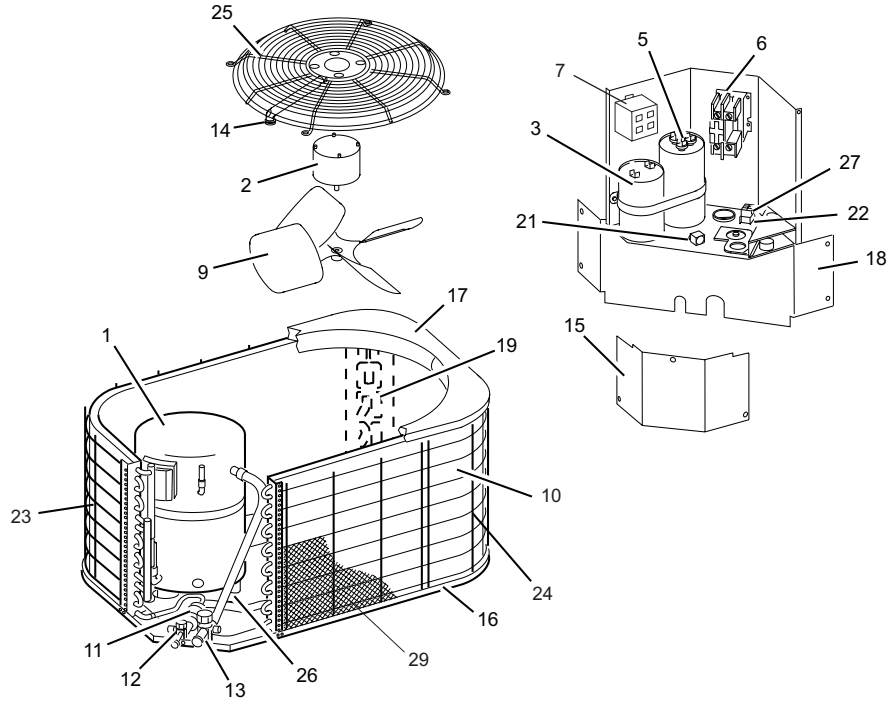


FIGURE 2 -AIR CONDITIONING - OUTDOOR UNIT

FIG	ITEM	DESCRIPTION	H2RE042S06A	H2RE048S06A	H1RE060S06A	H2RE060S06A
2	1	Compressor, Hermetic	015-02764-004	015-02773-004	015-03138-004	015-02967-004
*	1A	Compressor Plug Harness	025-31884-000	025-31884-000	---	---
2	2	Motor, Direct Drive Fan	024-27596-000	024-27596-000	024-27596-000	024-32029-000
2	3	Capacitor, Start	024-25191-000	024-25191-000	024-25390-000	024-25062-000
	4					
2	5	Capacitor, Run (50/5) [RC] Capacitor, Run (60/5) [RC] Capacitor, Run (60/10) [RC]	024-25338-000 --- ---	--- 024-25033-000 ---	--- 024-25033-000 ---	--- --- 024-32030-000
2	6	Contactora, Electrical (30 Amp) [M]	024-27531-000	024-27531-000	024-27531-000	024-27531-000
2	7	Relay, Start	024-26024-000	024-26024-000	024-25218-000	024-25035-000
	8					
2	9	Blade, Fan (24")	026-35437-000	026-35437-000	026-35437-000	026-35491-0000
2	10	Coil, Condenser	373-19013-354	373-19014-404	373-19014-404	373-19014-404
2	11	Drier, Filter	026-34095-000	026-34095-000	026-34095-000	026-34095-000
2	12	Valve, Liquid (3/8")	025-31899-000	025-31899-000	025-31899-000	025-31899-000
2	13	Valve, Suction (1 1/8")	023-18363-000	023-18363-000	023-18363-000	023-18363-000
2	14	Wireway	028-13297-000	028-13297-000	028-13297-000	028-13297-000
2	15	Cover, Electrical Box	073-19009-101	073-19009-101	073-19009-101	073-19009-101
2	16	Pan, Base	073-19001-000	073-19001-000	073-19001-000	073-19001-000
2	17	Panel, Top	073-19002-101	073-19002-101	073-19002-101	073-19002-101
2	18	Plate, Blockoff	073-19008-130	073-19008-136	073-19008-136	073-19008-136

FIG	ITEM	DESCRIPTION	H2RE042S06A	H2RE048S06A	H1RE060S06A	H2RE060S06A	<
2	19	Panel, Corner	073-15606-116	073-15606-117	073-15606-117	073-15606-117	<
*	20	Panel, Filler	073-19007-130	073-19007-136	073-19007-136	073-19007-136	<
2	21	Lug, Ground	1216-229	1216-229	1216-229	1216-229	<
2	22	Relief, Strain	1216-235	1216-235	1216-235	1216-235	<
2	23	Guard, Coil (Left)	026-35411-000	026-35412-000	026-35412-000	026-35412-000	<
2	24	Guard, Coil (Right)	026-35408-000	026-35409-000	026-35409-000	026-35409-000	<
2	25	Guard, Fan	026-35511-024	026-35511-024	026-35511-024	026-35511-024	<
2	26	Mount, Cushion (4 Req'd)	028-12355-000	028-12355-000	028-12355-000	028-10190-000	<
2	27	Plug, Electrical	025-33306-006	025-33306-006	025-33306-006	025-33306-006	<
*	28	Diagram, Wiring	035-15861-501	035-15861-501	035-15861-501	035-15861-501	<
2	29	Guard, Wire Mesh Coil	028-14732-000	028-14734-000	028-14734-000	028-14734-000	<
*	30	Nut, Acorn (4 Req'd)	021-16829-000	021-16829-000	021-16829-000	021-16829-000	<
*	31	Switch, High Pressure	---	---	---	025-33305-048	<

NOTE: *Not Shown

New replacement parts shown in **bold** face type at the first printing of parts list dated 4/02.

Major components and suggested stocking items are shown with shaded item number.

"<" Across from row indicates a change in that row.

--- Not applicable to specified model.



TO ORDER AUTHORIZED FACTORY REPLACEMENT PARTS - Contact your Source1 HVAC Parts Distributor or visit our website at www.Source1Parts.com for a Distributor and Dealer listing.