



www.Source1Parts.com

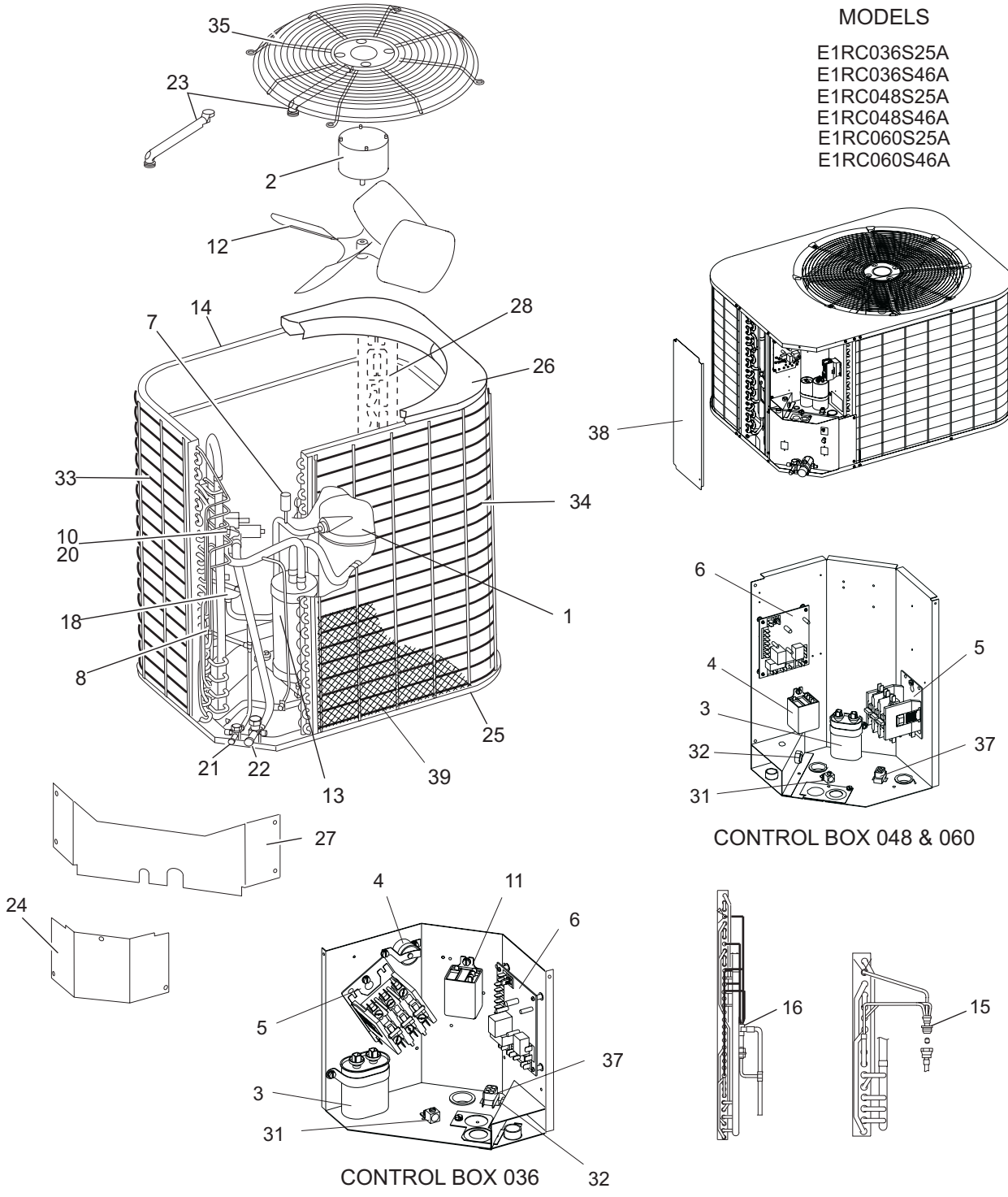
# E1RC SERIES - 12 SEER HEAT PUMP - 3PH OUTDOOR UNIT

HVAC SERVICE PARTS

Supersedes: Nothing

035-17721-001 Rev. A (0903)

1 of 4



## MODELS

- E1RC036S25A
- E1RC036S46A
- E1RC048S25A
- E1RC048S46A
- E1RC060S25A
- E1RC060S46A

FIG	ITEM	DESCRIPTION	E1RC036S25A	E1RC036S46A	E1RC048S25A
1	1	Compressor, Hermetic	<b>015-03607-000</b>	<b>015-03608-000</b>	015-002911-004
1	2	Motor, Fan	024-27596-000	024-27534-000	024-27596-000
1	3	Capacitor, Run (5MFD) [RC]	024-20043-000	024-20043-000	024-20043-000
1	4	Limit Switch (Heater)	025-31924-000	025-31924-000	---
1	5	Contact, Electrical (30 amp) [M]	024-25842-000	024-25842-000	024-25842-000
1	6	Control, Defrost	031-09104-000	031-09104-000	031-01954-000
1	7	Control, Pressure	025-33305-048	025-33305-048	025-33305-048
1	8	Sensor, Temperature (Liquid)	025-31994-000	025-31994-000	025-31994-000
*	9	Harness, Solenoid Coil	1456-9771	1456-9771	1456-9771
1	10	Coil, Solenoid	1456-9761	1456-9761	1456-9761
1	11	Relay, Fan	---	1460-5101	---
1	12	Blade, 22 Fan Blade, 24" Fan	026-34593-000 ---	026-34593-000	---
1	13	Accumulator	026-35441-000	026-35441-000	026-25573-007
1	14	Coil, Condenser	373-20075-204	373-20075-204	373-19027-480
1	15	Distributor Assembly w/Orifice (.049) Distributor Assembly w/Orifice (.061)	022-09010-549 ---	022-09010-549 ---	---
1	16	Body, Valve	022-08982-000	022-08982-000	022-08982-000
*	17	Diagram, Wiring	035-15802-003	035-15802-003	035-15860-003
1	18	Filter Drier	6536-3341	6536-3341	026-34506-000
*	19	Cap, Knurled	023-10745-000	023-10745-000	023-10745-000
1	20	Valve, Reversing	025-31929-000	025-31929-000	025-31930-000
1	21	Valve, Liquid (3/8")	025-31899-000	025-31899-000	025-31899-000
1	22	Valve, Suction (7/8")	025-31901-000	025-31901-000	025-31901-000
1	23	Conduit, Electric (Wireway)	028-13216-000	028-13216-000	028-13297-000
1	24	Cover, Electric Box	2218-1151/A	2218-1151/A	073-19009-101
1	25	Pan, Base	2260-1011	2260-1011	073-19001-000
1	26	Panel, Top	2260-1021/A	2260-1021/A	073-19002-101
1	27	Plate, Block-Off	3948-1081/B	3948-1081/B	073-19008-130
1	28	Panel, Corner	073-15606-116	073-15606-116	073-15606-116
<b>*(See Note 1)</b>	29	Indoor Orifice, Refrigerant (.073) Indoor Orifice, Refrigerant (.087)	029-19387-005 ---	029-19387-005 ---	---
*	30	Kit, Motor Mounting (Acorn Nuts)	363-90117-700	363-90117-700	363-90117-700
1	31	Ground Lug	025-21798-000	025-21798-000	025-21798-000
1	32	Strain Relief	1216-243	1216-243	1216-243
1	33	Guard, Coil (1 Set) Guard, Coil (1 Req'd)	373-20091-006 ---	373-20091-006 ---	---
1	34	Guard, Coil	---	---	373-20091-019
1	35	Guard, Fan	026-35511-022	026-35511-022	026-35511-022
*	36	Isolator, Compressor (Pkg. of 4) Isolator, Compressor (4 Req'd)	9435-1081 ---	9435-1081 ---	---
1	37	Plug, Electric	025-33306-006	025-33306-006	025-33306-006
1	38	Panel, Filler	---	---	073-19007-130
1	39	Mesh, Coil Guard	028-14731-000	028-14731-000	028-14732-000
*	40	Fastener, Push-in (6 Req'd)	021-18381-000	021-18381-000	021-18381-000

**NOTE:** \*Not Shown

New replacement parts shown in **bold** face type at the first printing of parts list dated 9/03.

Major components and suggested stocking items are shown with shaded item number.

"<" Across from row indicates a change in that row.

--- Not applicable to specified model.

1 Refer to Tech Guide for proper selection of orifice.

FIG	ITEM	DESCRIPTION	E1RC048S46A	E1RC060S25A	E1RC060S46A	<
1	1	Compressor, Hermetic	015-02912-004	015-03409-004	015-03410-004	
1	2	Motor, Fan	024-27534-000	024-27596-000	024-27534-000	
1	3	Capacitor, Run (5MFD) [RC]	024-20043-000	024-20043-000	024-20043-000	
1	4	Limit Switch (Heater)	---	---	---	
1	5	Contact, Electrical (30 amp) [M]	024-25842-000	024-25842-000	024-25842-000	
1	6	Control, Defrost	031-01954-000	031-01954-000	031-01954-000	
1	7	Control, Pressure	025-33305-048	025-33305-048	025-33305-048	
1	8	Sensor, Temperature (Liquid)	025-31994-000	025-31994-000	025-31994-000	
*	9	Harness, Solenoid Coil	1456-9771	1456-9771	1456-9771	
1	10	Coil, Solenoid	1456-9761	1456-9761	1456-9761	
1	11	Relay, Fan	1460-5101	---	1460-5101	
1	12	Blade, 24" Fan	026-35437-000	026-35437-000	026-35437-000	
1	13	Accumulator	026-25573-007	026-25573-007	026-25573-007	
1	14	Coil, Condenser	373-19027-480	373-19027-480	373-19027-480	
1	15	Distributor Assembly w/Orifice (.061) Distributor Assembly w/Orifice (.075)	022-09010-661 ---	---	---	
1	16	Body, Valve	022-08982-000	022-08982-000	022-08982-000	
*	17	Diagram, Wiring	035-15802-003	035-15802-003	035-15802-003	
1	18	Filter Drier	026-34506-000	026-34506-000	026-34506-000	
*	19	Cap, Knurled	023-10745-000	023-10745-000	023-10745-000	
1	20	Valve, Reversing	025-31930-000	025-31930-000	025-31930-000	
1	21	Valve, Liquid (3/8")	025-31899-000	025-31899-000	025-31899-000	
1	22	Valve, Suction (7/8")	025-31901-000	025-31901-000	025-31901-000	
1	23	Conduit, Electric (Wireway)	028-13297-000	028-13297-000	028-13297-000	
1	24	Cover, Electric Box	073-19009-101	073-19009-101	073-19009-101	
1	25	Pan, Base	073-19001-000	073-19001-000	073-19001-000	
1	26	Panel, Top	073-19002-101	073-19002-101	073-19002-101	
1	27	Plate, Block-Off	073-19008-130	073-19008-130	073-19008-130	
1	28	Panel, Corner	073-15606-116	073-15606-116	073-15606-116	
* (See Note 1)	29	Indoor Orifice, Refrigerant (.087) Indoor Orifice, Refrigerant (.099)	029-19387-007 ---	---	---	
*	30	Kit, Motor Mounting (Acorn Nuts)	363-90117-700	363-90117-700	363-90117-700	
1	31	Ground Lug	025-21798-000	025-21798-000	025-21798-000	
1	32	Strain Relief	1216-243	1216-243	1216-243	
1	33	Guard, Coil	373-20091-016	373-20091-016	373-20091-016	
1	34	Guard, Coil	373-20091-019	373-20091-019	373-20091-019	
1	35	Guard, Fan	026-35511-024	026-35511-024	026-35511-024	
*	36	Isolator, Compressor (4 Req'd)	028-12355-000	028-12355-000	028-12355-000	
1	37	Plug, Electric	025-33306-006	025-33306-006	025-33306-006	
1	38	Panel, Filler	073-19007-130	073-19007-130	073-19007-130	
1	39	Mesh, Coil Guard	028-14732-000	028-14732-000	028-14732-000	
*	40	Fastener, Push-in (6 Req'd)	021-18381-000	021-18381-000	021-18381-000	

**NOTE:** \*Not ShownNew replacement parts shown in **bold** face type at the first printing of parts list dated 9/03.

Major components and suggested stocking items are shown with shaded item number.

"←" Across from row indicates a change in that row.

--- Not applicable to specified model.

1 Refer to Tech Guide for proper selection of orifice.

NON-ELECTRICAL ACCESSORIES		
PART NO.	DESCRIPTION	USED WITH
026-32621-000	Compressor Blanket	036
026-34627-002		048
010-06243-000		060

**TO ORDER AUTHORIZED FACTORY REPLACEMENT PARTS** - Contact your Source1 HVAC Parts Distributor or visit our website at [www.Source1Parts.com](http://www.Source1Parts.com) for a Distributor and Dealer listing.