

FIG. 1 - OUTSIDE AIR HOOD

FIG.	ITEM	STYLE	DESCRIPTION	2EE04703324
1	1		TOP, HOOD	026-38518-000
1	2		PANEL, FILTER ACCESS	026-38519-000
1	3		PANEL, RIGHT	026-38521-000
1	4		PANEL, LEFT	026-38522-000
1	5		FILTER CHANNEL (2 per Assy.)	026-38520-000
1	6		ANGLE	026-38525-000
1	7		BOTTOM, HOOD	026-38523-000
1	8		FILTER (MIST ELIMINATOR)	026-38061-000

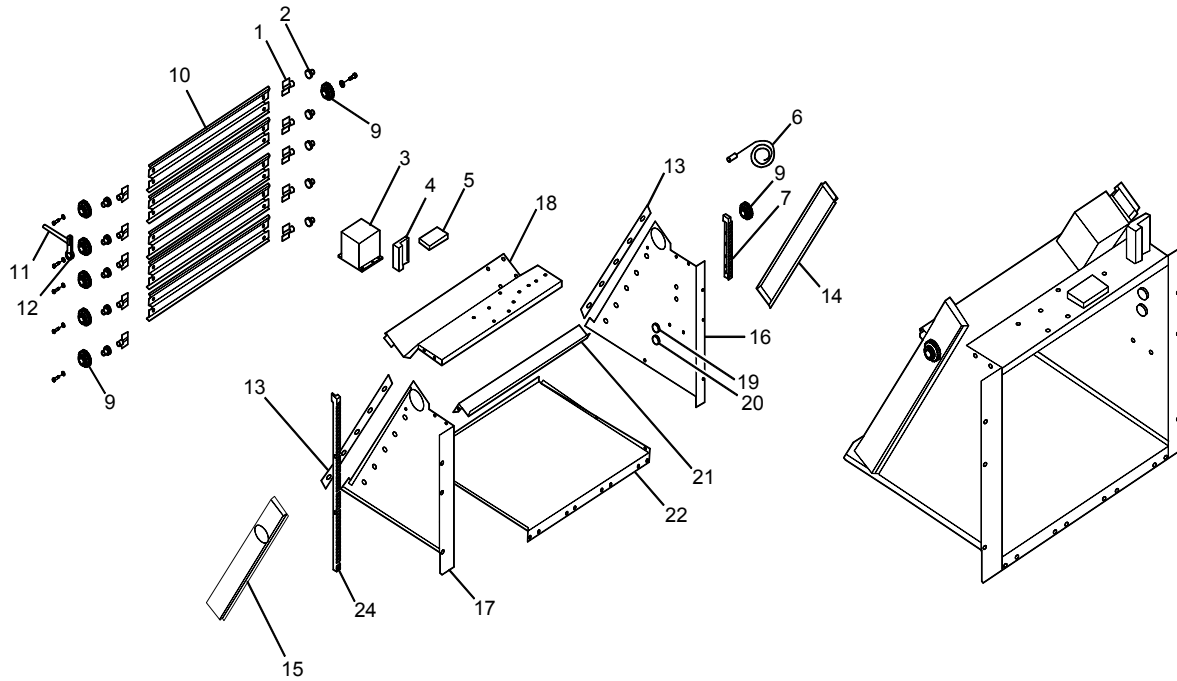


FIG. 2 - OUTSIDE AIR DAMPER

FIG.	ITEM	STYLE	DESCRIPTION	2EE04703324
2	1		GEAR, PIVOT (10 per Assy)	026-38524-000
2	2		BUSHING (10 per Assy)	026-38525-000
2	3		MOTOR, ACTUATOR	026-38526-000
2	4		LOGIC MODULE	026-38507-000
2	5		SENSOR, ENTHALPY	026-38527-000
2	6		SENSOR, DISCHARGE AIR (MIXED AIR)	026-38529-000
2	7		GEAR RACK, LEFT (1 Piece)	026-38538-000
2	8		GEAR RACK, RIGHT (3 Pieces)	026-38538-000
2	9		GEAR (7 per Assy)	026-38539-000
2	10		BLADE, DAMPER (5 per Assy)	026-38542-000
2	11		ROD, DAMPER	026-38541-000
2	12		CONTROL ARM W/BOLT JOINT	026-38540-000
2	13		SEAL, DAMPER (2 per Assy)	026-38543-000
2	14		COVER, DUST, LEFT	026-38530-000
2	15		COVER, DUST, RIGHT	026-38005-000
2	16		PANEL, LEFT	026-38532-000
2	17		PANEL, RIGHT	026-38533-000
2	18		PANEL, TOP	026-38528-000
2	19		PLUG, SNAP	026-38534-000
2	20		BUSHING, SNAP	026-38535-000
2	21		PANEL, REAR	026-38536-000
2	22		PANEL, BOTTOM	026-38537-000

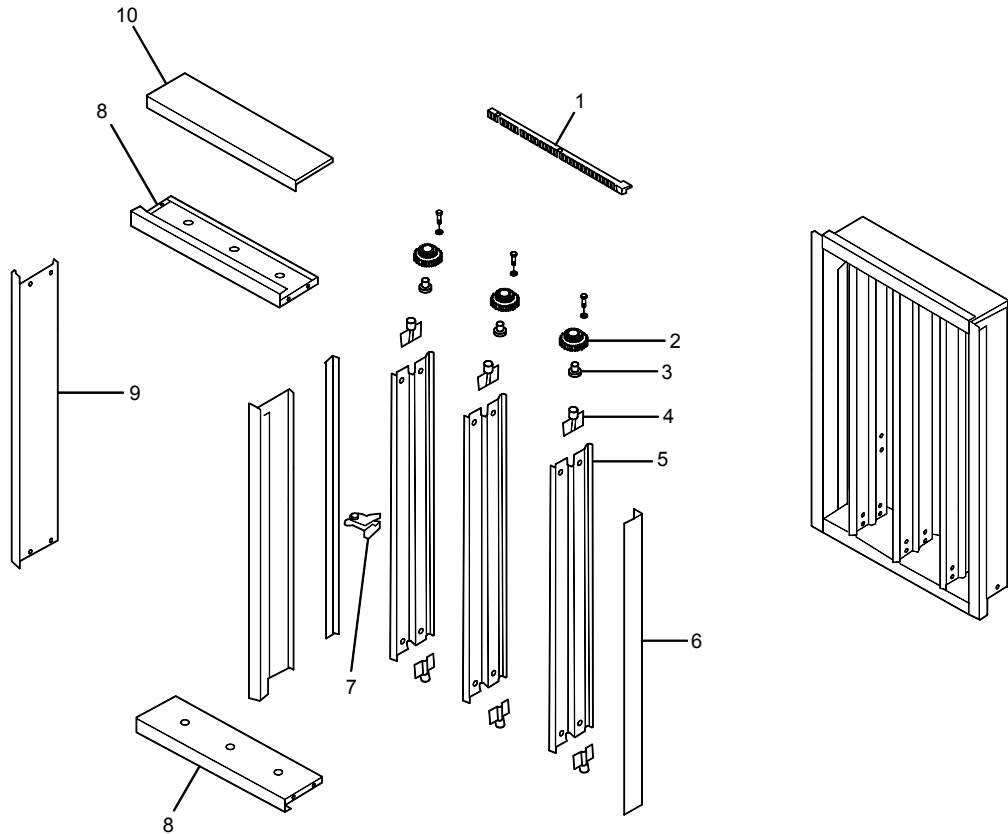


FIG. 3 - RETURN AIR HOOD

FIG.	ITEM	STYLE	DESCRIPTION	2EE04703324
3	1		GEAR RACK	026-38538-000
3	2		GEAR (SET OF 3)	026-38539-000
3	3		BUSHING, SNAP (6 per Assy)	026-38525-000
3	4		PIVOT, GEAR (6 per Assy)	026-38524-000
3	5		BLADE, DAMPER (3 per Assy)	026-38542-000
3	6		SEAL, DAMPER BLADE	026-38548-000
3	7		BRACKET, DAMPER (7 per Assy)	026-38549-000
3	8		PANEL, TOP/BOTTOM	026-38545-000
3	9		PANEL, LEFT/RIGHT	026-38550-000
3	10		COVER, DUST	026-38544-000



Heating and Air Conditioning

Unitary Products Group
5005 York Drive, Norman Oklahoma USA 73069
Subject to change without notice. Printed in U.S.A.
Copyright © by York International Corporation 1999. All Rights Reserved.