



www.Source1Parts.com

HVAC SERVICE PARTS

E1RC, E2RC SERIES-12SEER HEAT PUMP - 1PH OUTDOOR UNIT (STYLE G)

Supersedes:035-20525-001 Rev. A (0704)

035-20525-001 Rev. B (0306)

1 of 4

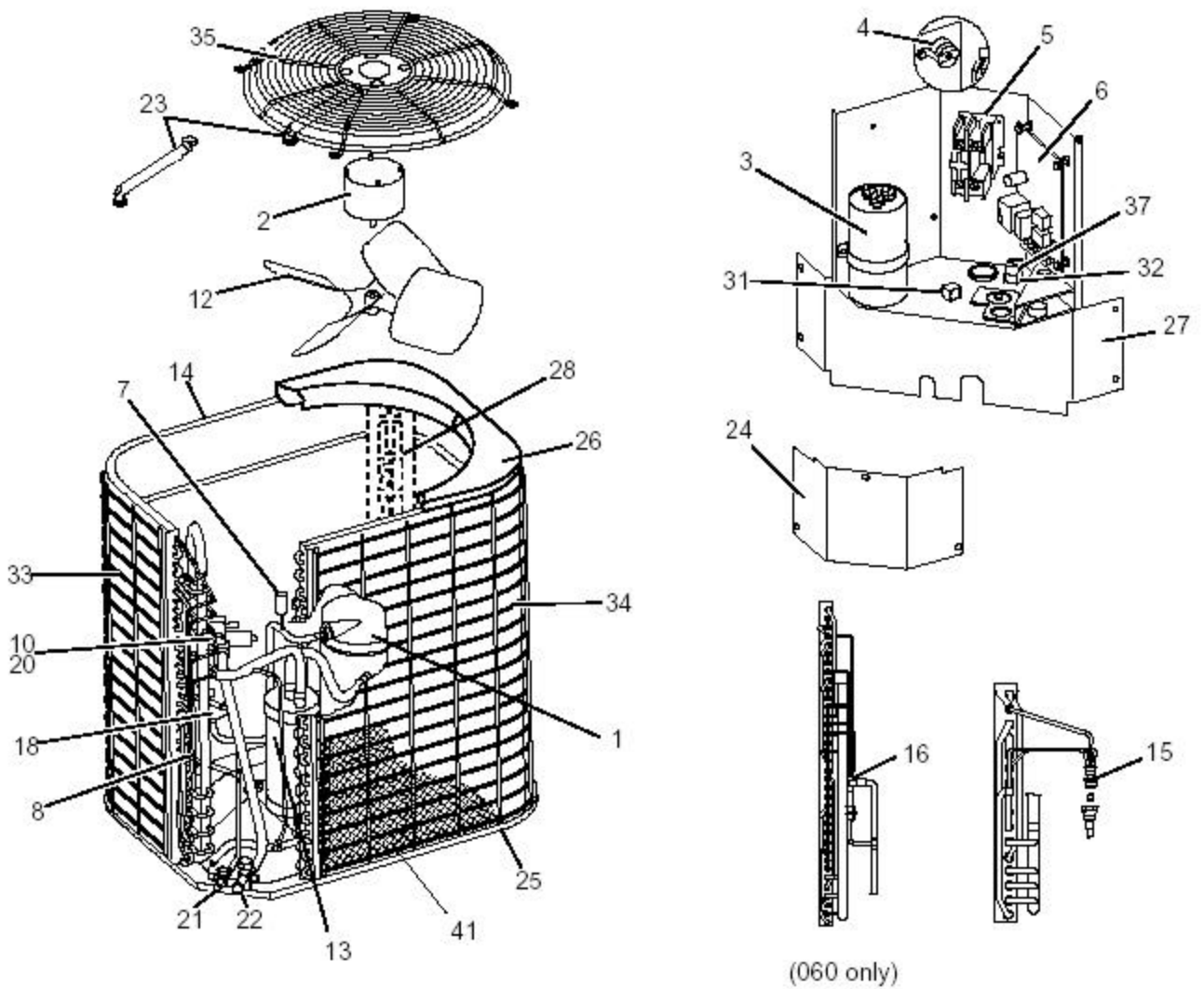


FIG	ITEM	DESCRIPTION	E1RC018S06G	E1RC024S06G	E1RC030S06G
1	1	Compressor, Hermetic	015-02375-004	015-02748-004	015-02750-004
*	1A	Harness, Compressor	025-31884-000	025-31884-000	025-31884-000
1	2	Motor, Fan	024-26067-010	024-27596-000	024-27596-000
1	3	Capacitor, Run (30/5MFD) [RC]	024-24778-000	024-24778-000	---
		Capacitor, Run (35/5MFD) [RC]	---	---	024-23998-000
1	4	Limit Switch (Heater)	025-31924-000	025-31924-000	---
1	5	Contact, Electrical (30 amp) [M]	024-27531-000	024-27531-000	024-27531-000
1	6	Control, Defrost	031-01954-000	031-01954-000	031-01954-000
1	7	Control, Pressure	025-33305-048	025-33305-048	025-33305-048
1	8	Sensor, Temperature (Liquid)	025-31994-000	025-31994-000	025-31994-000
1	9				
1	10	Coil, Solenoid	1456-9761	1456-9761	1456-9761
*	11	Start Device	---	---	024-20867-002
1	12	Blade, 18" Fan	026-34091-000	---	---
		Blade, 22" Fan	---	026-34593-000	026-34593-000
1	13	Accumulator	026-34089-000	026-34089-000	026-34089-000
1	14	Coil, Condenser	373-19800-012	373-19800-014	373-19800-014
1	15	Distributor Assembly w/Orifice (.036)	022-09010-336	---	---
		Distributor Assembly w/Orifice (.040)	---	022-09010-440	---
		Distributor Assembly w/Orifice (.048)	---	---	022-09010-448
1	16	Distributor Assembly	---	---	---
1	17				
1	18	Filter Drier	1458-0011	1458-0011	1458-0011
1	19				
1	20	Valve, Reversing	025-31931-000	025-31922-000	025-31922-000
1	21	Valve, Liquid (3/8")	025-31899-000	025-31899-000	025-31899-000
1	22	Valve, Suction (3/4")	025-31900-000	025-31900-000	025-31900-000
1	23	Conduit, Electric (Wireway)	028-13215-000	028-13216-001	028-13216-001
1	24	Cover, Electric Box	073-20018-001	073-20018-001	073-20018-001
1	25	Pan, Base	073-20045-001	073-20004-801	073-20004-801
1	26	Panel, Top	073-20011-001	073-20042-801	073-20042-801
1	27	Plate, Block-Off	073-20028-042	073-20002-801	073-20002-801
1	28	Panel, Corner	073-20012-003	073-20012-004	073-10012-004
* (See Note 1)	29	Indoor Orifice, Refrigerant (.053)	029-19387-002	---	---
		Indoor Orifice, Refrigerant (.055)	029-19387-014	---	---
		Indoor Orifice, Refrigerant (.061)	---	029-19387-003	---
		Indoor Orifice, Refrigerant (.059)	---	029-19387-010	---
		Indoor Orifice, Refrigerant (.069)	---	---	029-19387-004
		Indoor Orifice, Refrigerant (.067)	---	---	029-19387-016
		Indoor Orifice, Refrigerant (.071)	---	---	029-19387-029
1	30				
1	31	Ground Lug	1216-229	1216-229	1216-229
1	32	Strain Relief	1216-243	1216-243	1216-243
1	33	Guard, Coil (1 Set)	373-23714-003	373-23714-004	373-23714-004
1	34	Guard, Coil	---	---	---
1	35	Guard, Fan	026-35511-118	026-35511-122	026-35511-122
*	36	Isolator, Compressor (Pkg. of 4)	9435-1081	9435-1081	9435-1081
1	37	Plug, Electric	025-33306-006	025-33306-006	025-33306-006
*	38	Heater, Crankcase	1450-9511	1450-9511	1450-9511
*	39	Diagram, Wiring	035-15860-003	035-15860-003	035-15860-003
1	41	Mesh, Coil Guard	028-14727-000	028-14728-000	028-14728-000
*	42	Fastener, Push-in (4 Req'd)	021-18381-000	021-18381-000	021-18381-000
*	43	Kit, Motor Mounting (Acorn Nuts)	363-90117-700	363-90117-700	363-90117-700

NOTE: *Not ShownNew replacement parts shown in **bold** face type at the first printing of parts list dated 3/06.

Major components and suggested stocking items are shown with shaded item number.

"←" Across from row indicates a change in that row.

--- Not applicable to specified model.

1 Refer to Tech Guide for proper selection of orifice.

FIG	ITEM	DESCRIPTION	E1RC036S06G	E1RC042S06G	E2RC048S06G	E2RC060S06G
1	1	Compressor, Hermetic	015-02753-004	015-02690-004	015-02902-004	015-02968-004
*	1A	Harness, Compressor	025-31884-000	025-31884-000	025-31884-000	---
1	2	Motor, Fan	024-27596-000	024-27596-000	024-27596-000	024-27596-000
1	3	Capacitor, Run (40/5MFD) [RC]	024-25893-000	---	---	---
		Capacitor, Run (55/5MFD) [RC]	---	024-25049-000	---	---
		Capacitor, Run (50/5MFD) [RC]	---	---	024-25896-000	---
		Capacitor, Run (80/5MFD) [RC]	---	---	---	024-26037-000
1	4	Limit Switch (Heater)	025-31924-000	---	---	---
1	5	Contact, Electrical (30 amp) [M]	024-27531-000	024-27531-000	024-27531-000	---
		Contact, Electrical (40 amp) [M]	---	---	---	024-25837-000
1	6	Control, Defrost	031-01954-000	031-01954-000	031-01954-000	031-01954-000
1	7	Control, Pressure	025-33305-048	025-33305-048	025-33305-048	025-33305-048
1	8	Sensor, Temperature (Liquid)	025-31994-000	025-31994-000	025-31994-000	025-31994-000
1	9					
1	10	Coil, Solenoid	1456-9761	1456-9761	1456-9761	1456-9761
*	11	Start Device	---	---	---	---
1	12	Blade, 22" Fan	026-34593-000	026-34593-000	---	---
		Blade, 24" Fan	---	---	026-35437-000	026-35437-000
1	13	Accumulator	026-34090-000	026-34090-000	026-25573-007	026-25573-007
1	14	Coil, Condenser	373-19800-015	373-19800-015	373-19027-480	373-19027-480
1	15	Distributor Assembly w/Orifice (.050)	022-09010-550	---	---	---
		Distributor Assembly w/Orifice (.057)	---	022-09010-557	---	---
		Distributor Assembly w/Orifice (.061)	---	---	022-09010-661	---
1	16	Distributor Assembly w/Orifice (.075)	---	---	---	022-09010-675
1	17					
1	18	Filter Drier	6536-3341	6536-3341	026-34506-000	026-34506-000
1	19					
1	20	Valve, Reversing	025-31922-000	025-31930-000	025-31930-000	025-31930-000
1	21	Valve, Liquid (3/8")	025-31899-000	025-31899-000	025-31899-000	025-31899-000
1	22	Valve, Suction (7/8")	025-31901-000	025-31901-000	025-31901-000	---
		Valve, Suction (1 1/8")	---	---	---	023-18363-000
1	23	Conduit, Electric (Wireway)	028-13216-001	028-13216-001	028-13297-000	028-13297-000
1	24	Cover, Electric Box	073-20018-001	073-20018-001	073-19009-501	073-19009-501
1	25	Pan, Base	073-20004-801	073-20004-801	073-19001-500	073-19001-500
1	26	Panel, Top	073-20042-801	073-20042-801	073-19002-501	073-19002-501
1	27	Plate, Block-Off	073-20002-803	073-20002-803	073-19008-530	073-19008-530
1	28	Panel, Corner	073-20012-006	073-20012-006	073-20012-006	073-20012-006
*	(See Note 1)	Indoor Orifice, Refrigerant (.075)	029-19387-017	---	---	---
		Indoor Orifice, Refrigerant (.071)	029-19387-029	---	---	---
		Indoor Orifice, Refrigerant (.081)	---	029-19387-012	---	---
		Indoor Orifice, Refrigerant (.087)	---	---	029-19387-007	---
		Indoor Orifice, Refrigerant (.096)	---	---	---	029-19387-008
1	30					
1	31	Ground Lug	1216-229	1216-229	1216-229	1216-229
1	32	Strain Relief	1216-243	1216-243	1216-243	1216-243
1	33	Guard, Coil (1 Set)	373-23714-008	373-23714-008	---	---
		Guard, Coil (1 Req'd)	---	---	373-23841-001	373-23841-001
1	34	Guard, Coil	---	---	373-23841-002	373-23841-002
1	35	Guard, Fan	026-35511-122	026-35511-122	026-35511-124	026-35511-124
*	36	Isolator, Compressor (Pkg. of 4)	9435-1081	---	---	---
		Isolator, Compressor (4 Req'd)	---	028-12355-000	028-12355-000	028-12355-000
1	37	Plug, Electric	025-33306-006	025-33306-006	025-33306-006	025-33306-006
*	38	Heater, Crankcase	1450-9511	---	---	---
*	39	Diagram, Wiring	035-15860-003	035-15860-003	035-15860-003	035-15860-003
*	40	Panel, Filler	---	---	073-19007-530	073-19007-530
1	41	Mesh, Coil Guard	028-14731-000	028-14731-000	028-14732-000	028-14732-000
*	42	Fastener, Push-in (6 Req'd)	021-18381-000	021-18381-000	021-18381-000	021-18381-000
*	43	Kit, Motor Mounting (Acorn Nuts)	363-90117-700	363-90117-700	363-90117-700	363-90117-700

NOTE: *Not ShownNew replacement parts shown in **bold** face type at the first printing of parts list dated 3/06.

Major components and suggested stocking items are shown with shaded item number.

"←" Across from row indicates a change in that row.

--- Not applicable to specified model.

1 Refer to Tech Guide for proper selection of orifice.

This document Appends:035-13610-000.

TO ORDER AUTHORIZED FACTORY REPLACEMENT PARTS - Contact your Source1 HVAC Parts Distributor or visit our website at www.Source1Parts.com for a Distributor and Dealer listing.