



www.Source1Parts.com

**PV8 SERIES 2-STAGE DOWNFLOW/HORIZONTAL
VARIABLE SPEED NATURAL GAS FURNACES
(80%) (STYLE A) INCLUDING LO-NOX (L MODELS)**

HVAC SERVICE PARTS

Supersedes: 035-20770-001 Rev. A (0605)

035-20770-001 Rev. B (1105)

1 of 4

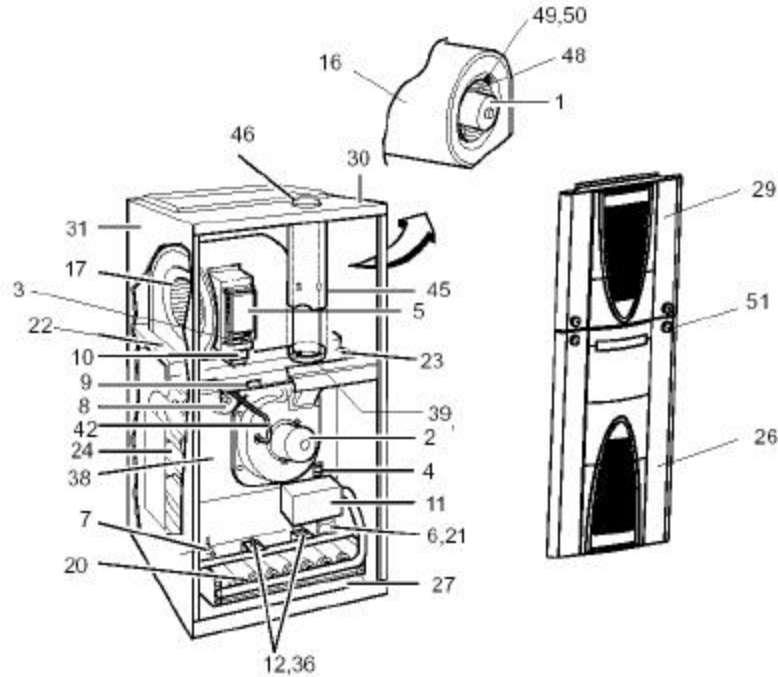


Figure 1: 2-STAGE DOWNFLOW/HORIZONTAL VARIABLE SPEED NATURAL GAS FURNACES (80%)<

FIG	ITEM	DESCRIPTION	PV8A12N060DH11A	PV8B16N080DH11A	PV8C16N100DH11A
			PV8A12L060DH11A (3 BURNER)	PV8B16L080DH11A (4 BURNER)	PV8C16L100DH11A (5 BURNER)
MOTOR					
1	1#	MOTOR, DIRECT DRIVE BLOWER	024-31940-000	024-31947-000	024-31947-000
*	1A	ECM MOTOR MODULE	324-32013-065	324-32014-066	324-32014-067
1	2	MOTOR, VENTOR ASS'Y	024-27653-000	024-27653-000	024-27653-000
ELECTRICAL					
1	3	CFM SELECTION BOARD	031-09118-000	031-09118-000	031-09118-000
1	4	CONTROL, HIGH LIMIT [LS1]	025-29041-002	025-29041-011	025-29041-011
1	5	CONTROL, FURNACE [FC]	031-09117-000	031-09117-000	031-09117-000
1	6	IGNITOR	025-32625-000	025-32625-000	025-32625-000
1,2	7	SENSOR, FLAME	025-27773-000	025-27773-000	025-27773-000
1	8	SWITCH, AIR PRESSURE [1LP]	024-35273-000	024-35274-000	024-35275-000
1	9	SWITCH, DOOR [SW]	024-27640-000	024-27640-000	024-27640-000
1	10	TRANSFORMER	025-30889-000	025-30889-000	025-30889-000
1,2	11	VALVE, GAS	025-38915-000	025-38915-000	025-38915-000
1,2	12	CONTROL, LIMIT (Blower) (1 Req'd) [ROS1]	025-27747-016	025-27747-016	025-27747-018
2	13	LIMIT, FLAME ROLL-OUT (2 Req'd)	025-27792-009	025-27792-009	025-27792-009
	14				
	15				
AIR MOVING					
1	16	HOUSING, BLOWER	373-17827-001	373-17829-001	373-17829-001
*	16A	PANEL, FILLER WRAP	---	063-78006-000	063-78006-000
1	17	WHEEL, BLOWER	026-19654-003	026-19654-014	026-19654-014

NOTE: *Not Shown

New replacement parts shown in **bold** face type at the first printing of parts list dated 11/05.

Major components and suggested stocking items are shown with shaded item number.

"<" Across from row indicates a change in that row.

--- Not applicable to specified model.

Motor is less ECM module.

FIG	ITEM	DESCRIPTION	PV8A12N060DH11A	PV8B16N080DH11A	PV8C16N100DH11A
			PV8A12L060DH11A (3 BURNER)	PV8B16L080DH11A (4 BURNER)	PV8C16L100DH11A (5 BURNER)
FABRICATED PARTS					
	18				
*	19	BAFFLE, FLUE	073-17775-001	073-17775-002	073-17775-003
1,2	20	BURNER, MAIN GAS	029-20482-000	029-20482-000	029-20482-000
1	21	BRACKET, IGNITOR	073-17403-000	073-17403-000	073-17403-000
1	22	DECK, BLOWER (Rear)	073-17502-001	073-17503-001	073-12082-000
1	23	DECK, FRONT	073-23762-001	073-23762-002	073-23762-003
1	24	HEAT EXCHANGER ASS'Y (Primary)	373-17519-003	373-17519-008	373-17519-009
2	25	MANIFOLD, GAS	029-22114-002	029-22114-003	029-22114-004
1	26	PANEL, FRONT (Lower)	373-23765-005	373-23765-006	373-23765-007
		PANEL, FRONT (Lower) (Magnet)	373-23801-025	373-23801-026	373-23801-027
1	27	PANEL, BASE	073-23763-001	073-23763-002	073-23763-003
	28				
1	29	PANEL, FRONT (Upper)	373-23765-001	373-23765-002	373-23765-003
		PANEL, FRONT (Upper) (Magnet)	373-23801-033	373-23801-034	373-23801-035
1	30	PANEL, TOP	073-23764-001	073-23764-002	073-23764-003
1	31	WRAPPER, INSULATED	373-19864-001	373-19864-002	373-19864-003
MISCELLANEOUS					
*	32	FILTER (2 Req'd) (.75 X 14 X 20)	026-23050-004	026-23050-004	026-23050-004
*	33	PLUG, OVAL WINDOW	025-38899-000	025-38899-000	025-38899-000
*	34	BRACKET, FILTER	373-18262-001	373-18262-001	373-18262-001
*	35	GROMMET, 1/2" DIA.	025-30823-000	025-30823-000	025-30823-000
1,2	36	BRACKET, ROLL-OUT SWITCH	073-12033-000	073-12033-000	073-12033-000
2	37	ORIFICE, BURNER (Natural #45)	029-21182-045	029-21182-045	029-21182-045
1	38	PLATE, RESTRICTOR	073-17777-144	073-17785-172	073-17787-209
1	39	COLLAR, FLUE	073-22222-000	073-22222-000	073-22222-000
*	40	BAFFLE, BLOWER	073-17854-002	073-17854-004	073-17854-003
*	41	GASKET, RESTRICTOR PLATE	028-13258-000	028-13281-000	028-13283-000
1	42	TUBING, SILICONE	028-12499-000	028-12499-000	028-12499-000
*	43	WIRING DIAGRAM	126806	126806	126806
*	44	WIRING HARNESS	373-23770-001	373-23770-001	373-23770-001
1	45	HOUSING FLUE	026-35453-002	026-35453-002	026-35453-002
1	46	VENT PIPE	026-37300-002	026-37300-002	026-37300-002
*	47	RETAINER, INSULATION	073-18035-001	073-18035-001	073-18035-003
1	48	MOTOR MOUNT	073-19831-001	073-19831-001	073-19831-001
1	49	FERRULE (3 Req'd)	023-20541-000	023-20541-000	023-20541-000
1	50	GROMMET (3 Req'd)	028-14740-000	028-14740-000	028-14740-000
1	51	DOOR KNOB (Black) (4 Req'd)	026-39490-000	026-39490-000	026-39490-000
		DOOR KNOB (Black) (4 Req'd) (Magnet)	029-24412-000	029-24412-000	029-24412-000
*	52	LO-NOX SCREENS ("L" Models only)	026-35452-000	026-35452-000	026-35452-000
*	53	MAGNET, DOOR	029-24413-000	029-24413-000	029-24413-000

NOTE: *Not Shown
 New replacement parts shown in **bold** face type at the first printing of parts list dated 11/05.
 Major components and suggested stocking items are shown with shaded item number.
 "<" Across from row indicates a change in that row.
 --- Not applicable to specified model.

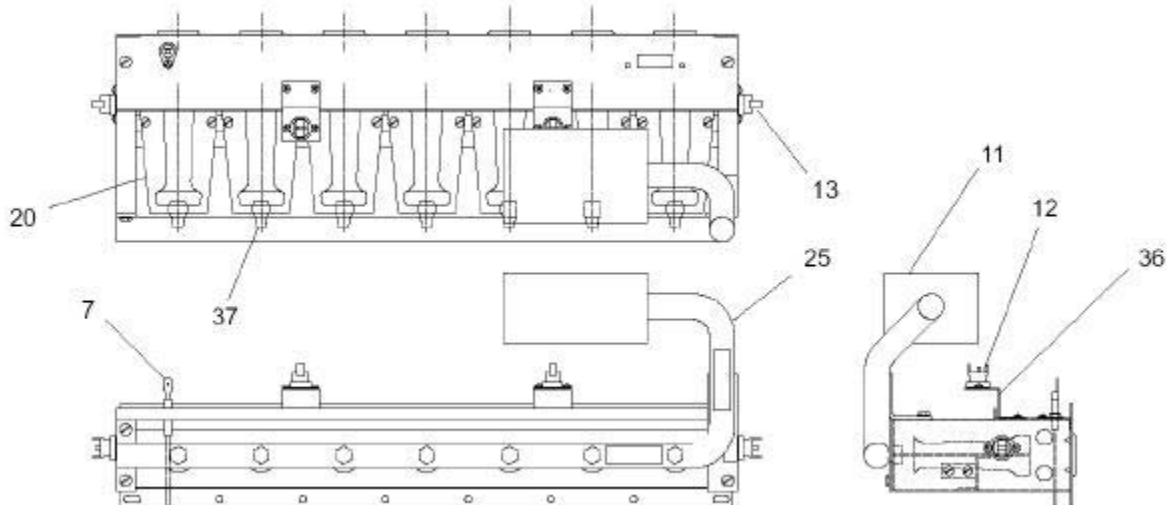


Figure 2: GAS CONTROLS

FIG	ITEM	DESCRIPTION	PV8C20N100DH11A	PV8C20N120DH11A
			PV8C20L100DH11A (5 BURNER)	PV8C20L120DH11A (6 BURNER)
MOTOR				
1	1#	MOTOR, DIRECT DRIVE BLOWER	024-31941-000	024-31941-000
*	1A	ECM MOTOR MODULE	324-32015-068	324-32015-069
1	2	MOTOR, VENTOR ASS'Y	024-27653-000	024-27653-000
ELECTRICAL				
1	3	CFM SELECTION BOARD	031-09118-000	031-09118-000
1	4	CONTROL, HIGH LIMIT [LS1]	025-29041-007	025-29041-004
1	5	CONTROL, FURNACE [FC]	031-09117-000	031-09117-000
1	6	IGNITOR	025-32625-000	025-32625-000
1,2	7	SENSOR, FLAME	025-27773-000	025-27773-000
1	8	SWITCH, AIR PRESSURE [1LP]	024-35275-000	024-35276-000
1	9	SWITCH, DOOR [SW]	024-27640-000	024-27640-000
1	10	TRANSFORMER	025-30889-000	025-30889-000
1,2	11	VALVE, GAS	025-35394-000	025-35394-000
1,2	12	CONTROL, LIMIT (Blower) (1 or 2 Req'd) [ROS1,2]	(1) 025-27747-018	(2) 025-27747-018
2	13	LIMIT, FLAME ROLL-OUT (2 Req'd)	025-27792-009	025-27792-009
	14			
	15			
AIR MOVING				
1	16	HOUSING, BLOWER	373-19870-502	373-19870-502
*	16A	PANEL, FILLER WRAP	073-19870-501	073-19870-501
1	17	WHEEL, BLOWER	026-38510-000	026-38510-000
FABRICATED PARTS				
	18			
*	19	BAFFLE, FLUE	073-17775-003	073-17775-004
1,2	20	BURNER, MAIN GAS	029-20482-000	029-20482-000
1	21	BRACKET, IGNITOR	073-17403-000	073-17403-000
1	22	DECK, BLOWER (Rear)	073-23757-001	073-23757-001
1	23	DECK, FRONT	073-23762-003	073-23762-003
1	24	HEAT EXCHANGER ASS'Y (Primary)	373-17519-009	373-17519-006
2	25	MANIFOLD, GAS	029-22114-004	029-22114-005
1	26	PANEL, FRONT (Lower)	373-23765-007	373-23765-007
		PANEL, FRONT (Lower)(Magnet)	373-23801-027	373-23801-027
1	27	PANEL, BASE	073-23763-003	073-23763-003
	28			
1	29	PANEL, FRONT (Upper)	373-23765-003	373-23765-003
		PANEL, FRONT (Upper) (Magnet)	373-23801-035	373-23801-035
1	30	PANEL, TOP	073-23764-003	073-23764-003
1	31	WRAPPER, INSULATED	373-19864-003	373-19864-003
MISCELLANEOUS				
*	32	FILTER (2 Req'd) (.75 X 14 X 20)	026-23050-004	026-23050-004
*	33	PLUG, OVAL WINDOW	025-38899-000	025-38899-000
*	34	BRACKET, FILTER	373-18262-001	373-18262-001
*	35	GROMMET, 1/2" DIA.	025-30823-000	025-30823-000
1,2	36	BRACKET, ROLL-OUT SWITCH	073-12033-000	073-12033-000
2	37	ORIFICE, BURNER (Natural #45)	029-21182-045	029-21182-045
1	38	PLATE, RESTRICTOR	073-17787-209	073-17489-256
1	39	COLLAR, FLUE	073-22222-000	073-22222-000
*	40	BAFFLE, BLOWER	073-17854-003	073-17854-003
*	41	GASKET, RESTRICTOR PLATE	028-13283-000	028-13261-000
1	42	TUBING, SILICONE	028-12499-000	028-12499-000
*	43	WIRING DIAGRAM	126806	126806
*	44	WIRING HARNESS	373-23770-001	373-23770-002
1	45	HOUSING, FLUE	026-35453-002	026-35453-002
1	46	VENT PIPE	026-37300-002	026-37300-002
*	47	RETAINER, INSULATION	073-18035-003	073-18035-003
1	48	MOTOR MOUNT	073-19831-001	073-19831-001
1	49	FERRULE (3 Req'd)	023-20541-000	023-20541-000
1	50	GROMMET (3 Req'd)	028-14740-000	028-14740-000
1	51	DOOR KNOB (Black) (4 Req'd)	026-39490-000	026-39490-000
		DOOR KNOB (Black) (4 Req'd) (Magnet)	029-24412-000	029-24412-000
*	52	LO-NOX SCREENS ("L" Models only)	026-35452-000	026-35452-000
*	53	MAGNET, DOOR	029-24413-000	029-24413-000

NOTE: *Not Shown
 New replacement parts shown in **bold** face type at the first printing of parts list dated 11/05.
 Major components and suggested stocking items are shown with shaded item number.
 "<" Across from row indicates a change in that row.
 --- Not applicable to specified model.
 # Motor is less ECM module

Note: These furnaces were manufactured with two different style front panels. Original design required unscrewing of the door knobs (item #51) to remove panels #26 and #29. On the revised design, the door are held in place with magnets and the knobs are only used for pulling off the panels. Please check the style front panels your unit is equipped with before ordering replacment panels. Parts required for the new design have the word magnet in the description.

TO ORDER AUTHORIZED FACTORY REPLACEMENT PARTS - Contact your Source1 HVAC Parts Distributor or visit our website at **www.Source1Parts.com** for a Distributor and Dealer listing.