



www.Source1Parts.com

E1RC SERIES-12SEER,3PH HEAT PUMP - OUTDOOR UNIT (STYLE H)

HVAC SERVICE PARTS

Supersedes:Nothing

035-20792-001 Rev. A (0805)

1 of 2

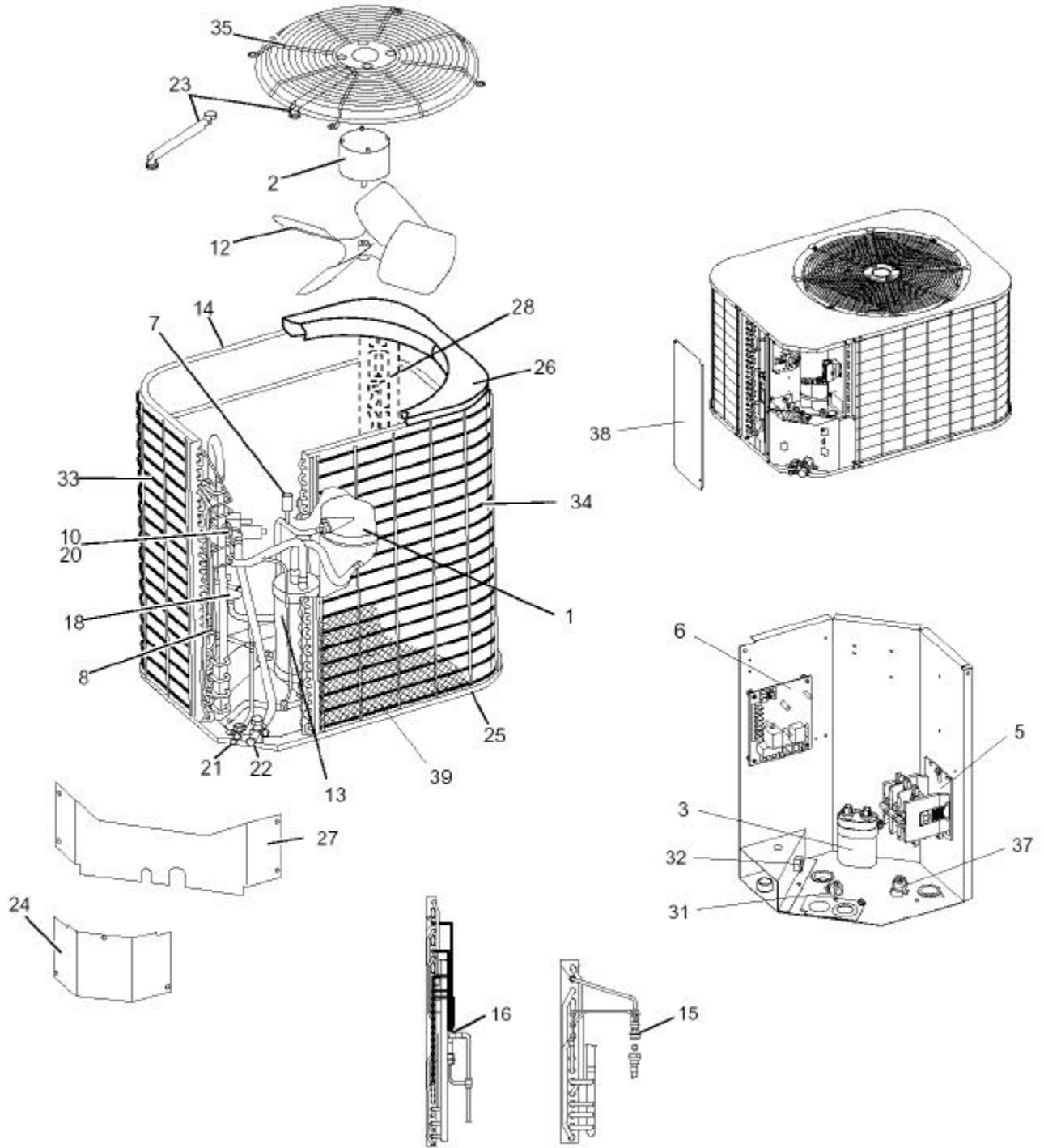


FIG	ITEM	DESCRIPTION	E1RC048S25H	E1RC048S46H	E1RC060S25H	E1RC060S46H
1	1	Compressor, Hermetic	015-02911-004	015-02912-004	015-03365-004	015-03366-004
1	2	Motor, Fan	024-27596-000	024-27534-000	024-27596-000	024-27534-000
1	3	Capacitor, Run (5MFD) [RC]	024-20043-000	024-20043-000	024-20043-000	024-20043-000
	4					
1	5	Contactora, Electrical (30 amp) [M]	024-25842-000	024-25842-000	024-25842-000	024-25842-000
1	6	Control, Defrost	031-01954-000	031-01954-000	031-01954-000	031-01954-000
1	7	Control, Pressure	025-33305-048	025-33305-048	025-33305-048	025-33305-048
1	8	Sensor, Temperature (Liquid)	025-31994-000	025-31994-000	025-31994-000	025-31994-000
*	9	Harness, Solenoid Coil	1456-9771	1456-9771	1456-9771	1456-9771
1	10	Coil, Solenoid	025-38948-000	025-38948-000	025-38948-000	025-38948-000
1	11	Relay, Fan		1460-5101	---	1460-5101
1	12	Blade, 24" Fan	026-35437-000	026-35437-000	026-35437-000	026-35437-000
1	13	Accumulator	026-25573-007	026-25573-007	026-25573-007	026-25573-007
1	14	Coil, Condenser	373-23759-001	373-23759-001	373-23759-001	373-23759-001
1	15	Distributor Assembly w/Orifice (.061)	022-09010-661	022-09010-661	---	---
		Distributor Assembly w/Orifice (.075)	---	---	022-09010-675	022-09010-675
1	16	Body, Valve	022-08982-000	022-08982-000	022-08982-000	022-08982-000
*	17	Diagram, Wiring	035-15802-003	035-15802-003	035-15802-003	035-15802-003
1	18	Filter Drier	026-34506-000	026-34506-000	026-34506-000	026-34506-000
*	19	Cap, Knurled	023-10745-000	023-10745-000	023-10745-000	023-10745-000
1	20	Valve, Reversing	025-38947-000	025-38947-000	025-38947-000	025-38947-000
1	21	Valve, Liquid (3/8")	025-31899-000	025-31899-000	025-31899-000	025-31899-000
1	22	Valve, Suction (7/8")	025-31901-000	025-31901-000	025-31901-000	025-31901-000
1	23	Conduit, Electric (Wireway)	028-13297-000	028-13297-000	028-13297-000	028-13297-000
1	24	Cover, Electric Box	073-20018-001	073-20018-001	073-20018-001	073-20018-001
1	25	Panel, Base	073-19001-500	073-19001-500	073-19001-500	073-19001-500
1	26	Panel, Top	073-23757-001	073-23757-001	073-23757-001	073-23757-001
1	27	Plate, Block-Off	073-20002-803	073-20002-803	073-20002-803	073-20002-803
1	28	Panel, Corner	073-20012-006	073-20012-006	073-20012-006	073-20012-006
* See Note 1	29	Indoor Orifice, Refrigerant (.087)	029-19387-007	029-19387-007	---	---
		Indoor Orifice, Refrigerant (.099)	---	---	029-19387-020	029-19387-020
*	30	Kit, Motor Mounting (Acorn Nuts)	363-90117-700	363-90117-700	363-90117-700	363-90117-700
1	31	Ground Lug	025-21798-000	025-21798-000	025-21798-000	025-21798-000
1	32	Strain Relief	1216-243	1216-243	1216-243	1216-243
1	33	Guard, Coil	373-23760-006	373-23760-006	373-23760-006	373-23760-006
1	34	Guard, Coil	373-23760-007	373-23760-007	373-23760-007	373-23760-007
1	35	Guard, Fan	026-35511-124	026-35511-124	026-35511-124	026-35511-124
*	36	Isolator, Compressor (4 Req'd)	028-12355-000	028-12355-000	028-12355-000	028-12355-000
1	37	Plug, Electric	025-33306-006	025-33306-006	025-33306-006	025-33306-006
1	38	Panel, Filler	073-23758-001	073-23758-001	073-23758-001	073-23758-001
1	39	Mesh, Coil Guard	028-14732-000	028-14732-000	028-14732-000	028-14732-000
*	40	Fastener, Push-in (6 Req'd)	021-18381-000	021-18381-000	021-18381-000	021-18381-000

NOTE: *Not Shown

New replacement parts shown in **bold** face type at the first printing of parts list dated 8/05.

Major components and suggested stocking items are shown with shaded item number.

"<" Across from row indicates a change in that row.

--- Not applicable to specified model.

1 Refer to Tech Guide for proper selection of orifice.

This document Appends: 035-20526-001.

TO ORDER AUTHORIZED FACTORY REPLACEMENT PARTS - Contact your Source1 HVAC Parts Distributor or visit our website at www.Source1Parts.com for a Distributor and Dealer listing.

Subject to change without notice. Printed in U.S.A.

Copyright © by York International Corp. 2005. All rights reserved.

035-20792-001 Rev. A (0805)

Supersedes: Nothing

**Unitary
Products
Group**

**5005
York
Drive**

**Norman
OK
73069**