



www.Source1Parts.com

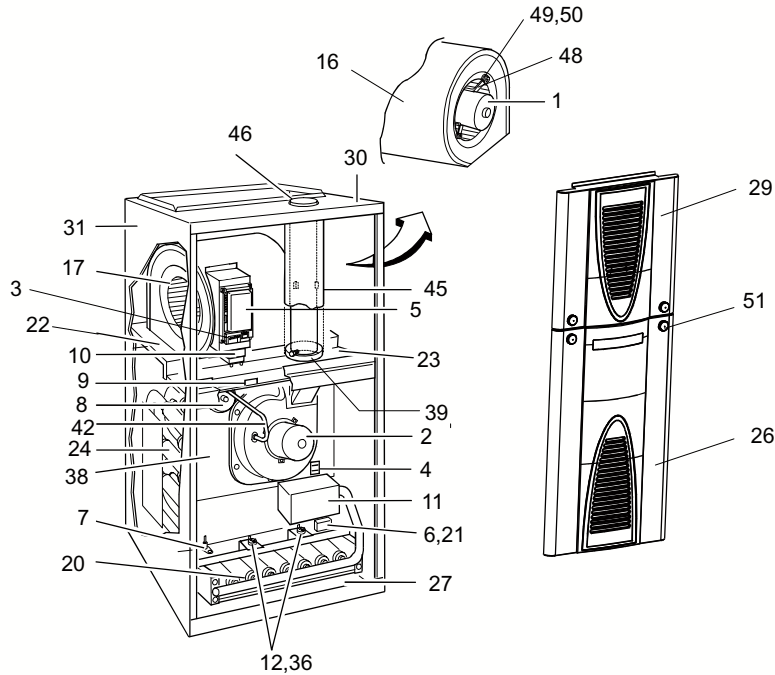
**PV8 SERIES 2- STAGE DOWNFLOW/HORIZONTAL  
80% VARIABLE SPEED NATURAL GAS FURNACES  
(STYLE B, see back) INCLUDING LO-NOX L MODELS**

**HVAC SERVICE PARTS**

Supersedes: 035-20850-001 Rev. A (1205)

035-20850-001 Rev. B (0406)

1 of 4



**Figure 1: 2-STAGE DOWNFLOW/HORIZONTAL VARIABLE SPEED NATURAL GAS FURNACES (80%)**

FIG	ITEM	DESCRIPTION	PV8A12N060DH11B	PV8B16N080DH11B	PV8C16N080DH11A
			PV8A12L060DH11B (3 BURNER)	PV8B16L080DH11B (4 BURNER)	PV8C16L080DH11A (4BURNER)
<b>MOTOR</b>					
1	1	MOTOR, DIRECT DRIVE BLOWER	024-35298-000	024-35299-000	024-35302-000
*	1A	ECM MOTOR MODULE (Programmed)	324-32013-065	324-32014-066	324-32014-067
*	1B	MOTOR, BLOWER (Less ECM Module)	024-31940-000	024-31947-000	024-31947-000
1	2	MOTOR, VENTOR ASS'Y	024-27653-000	024-27653-000	024-27653-000
<b>ELECTRICAL</b>					
1	3	CFM SELECTION BOARD	031-09118-000	031-09118-000	031-09118-000
1	4	CONTROL, HIGH LIMIT [LS1]	025-29041-002	025-29041-011	025-29041-011
1	5	CONTROL, FURNACE [FC]	031-09117-000	031-09117-000	031-09117-000
1	6	IGNITOR	025-32625-000	025-32625-000	025-32625-000
1,2	7	SENSOR, FLAME	025-27773-000	025-27773-000	025-27773-000
1	8	SWITCH, AIR PRESSURE [1LP]	024-35273-000	024-35274-000	024-35275-000
1	9	SWITCH, DOOR [SW]	024-27640-000	024-27640-000	024-27640-000
1	10	TRANSFORMER	025-30889-000	025-30889-000	025-30889-000
1,2	11	VALVE, GAS	025-38915-000	025-38915-000	025-38915-000
1,2	12	CONTROL, LIMIT (Blower) (1 Req'd) [ROS1]	025-27747-016	025-27747-016	025-27747-016
2	13	LIMIT, FLAME ROLL-OUT (2 Req'd)	025-27792-009	025-27792-009	025-27792-009
	14				
	15				
<b>AIR MOVING</b>					
1	16	HOUSING, BLOWER	373-17827-001	373-17829-001	373-17829-001
*	16A	PANEL, FILLER WRAP	---	063-78006-000	063-78006-000
1	17	WHEEL, BLOWER	026-19654-003	026-19654-014	026-19654-014

NOTE: \*Not Shown

New replacement parts shown in **bold** face type at the first printing of parts list dated 4/06.

Major components and suggested stocking items are shown with shaded item number.

"<" Across from row indicates a change in that row.

--- Not applicable to specified model.

FIG	ITEM	DESCRIPTION	PV8A12N060DH11B	PV8B16N080DH11B	PV8C16N080DH11A
			PV8A12L060DH11B (3 BURNER)	PV8B16L080DH11B (4 BURNER)	PV8C16L080DH11A (4BURNER)
<b>FABRICATED PARTS</b>					
	18				
*	19	BAFFLE, FLUE	073-17775-001	073-17775-002	073-17775-002
1,2	20	BURNER, MAIN GAS	029-20482-000	029-20482-000	029-20482-000
1	21	BRACKET, IGNITOR	073-17403-000	073-17403-000	073-17403-000
1	22	DECK, BLOWER (Rear)	073-17502-001	073-17503-001	073-12082-000
1	23	DECK, FRONT	073-23762-001	073-23762-002	073-23762-003
1	24	HEAT EXCHANGER ASS'Y (Primary)	373-23820-002	373-23820-004	373-23836-001
2	25	MANIFOLD, GAS	029-22114-002	029-22114-003	029-22114-003
1	26	PANEL, FRONT (Lower) (Magnet)	373-23801-025	373-23801-026	373-23801-027
1	27	PANEL, BASE	073-23763-001	073-23763-002	073-23845-001
	28				
1	29	PANEL, FRONT (Upper) (Magnet)	373-23801-033	373-23801-034	373-23801-035
1	30	PANEL, TOP	073-23764-001	073-23764-002	073-23764-003
1	31	WRAPPER, INSULATED	373-19864-001	373-19864-002	373-19864-003
<b>MISCELLANEOUS</b>					
	32				
*	33	PLUG, OVAL WINDOW	025-38899-000	025-38899-000	025-38899-000
	34				
*	35	GROMMET, 1/2" DIA.	025-30823-000	025-30823-000	025-30823-000
1,2	36	BRACKET, ROLL-OUT SWITCH	073-12033-000	073-12033-000	073-12033-000
2	37	ORIFICE, BURNER (Natural #45)	029-21182-045	029-21182-045	029-21182-045
1	38	PLATE, RESTRICTOR	073-23821-011	073-23821-001	073-23821-016
1	39	COLLAR, FLUE	073-22222-000	073-22222-000	073-22222-000
*	40	BAFFLE, BLOWER	073-17854-002	073-17854-004	073-17854-003
*	41	GASKET, RESTRICTOR PLATE	028-13258-000	028-13281-000	028-13283-000
1	42	TUBING, SILICONE	028-12499-000	028-12499-000	028-12499-000
*	43	WIRING DIAGRAM	167078	167078	167078
*	44	WIRING HARNESS	373-23770-001	373-23770-001	373-23770-001
1	45	HOUSING FLUE	026-35453-002	026-35453-002	026-35453-002
1	46	VENT PIPE	026-37300-002	026-37300-002	026-37300-002
*	47	RETAINER, INSULATION	073-18035-001	073-18035-001	073-18035-003
1	48	MOTOR MOUNT	073-19831-001	073-19831-001	073-19831-001
1	49	FERRULE (3 Req'd)	023-20541-000	023-20541-000	023-20541-000
1	50	GROMMET (3 Req'd)	028-14740-000	028-14740-000	028-14740-000
1	51	DOOR KNOB (Black) (4 Req'd) (Magnet)	029-24412-000	029-24412-000	029-24412-000
*	52	LO-NOX SCREENS ("L" Models only)	026-35452-000	026-35452-000	026-35452-000
*	53	MAGNET, DOOR	029-24413-000	029-24413-000	029-24413-000

NOTE: \*Not Shown  
 New replacement parts shown in **bold** face type at the first printing of parts list dated 4/06.  
 Major components and suggested stocking items are shown with shaded item number.  
 "<" Across from row indicates a change in that row.  
 --- Not applicable to specified model.

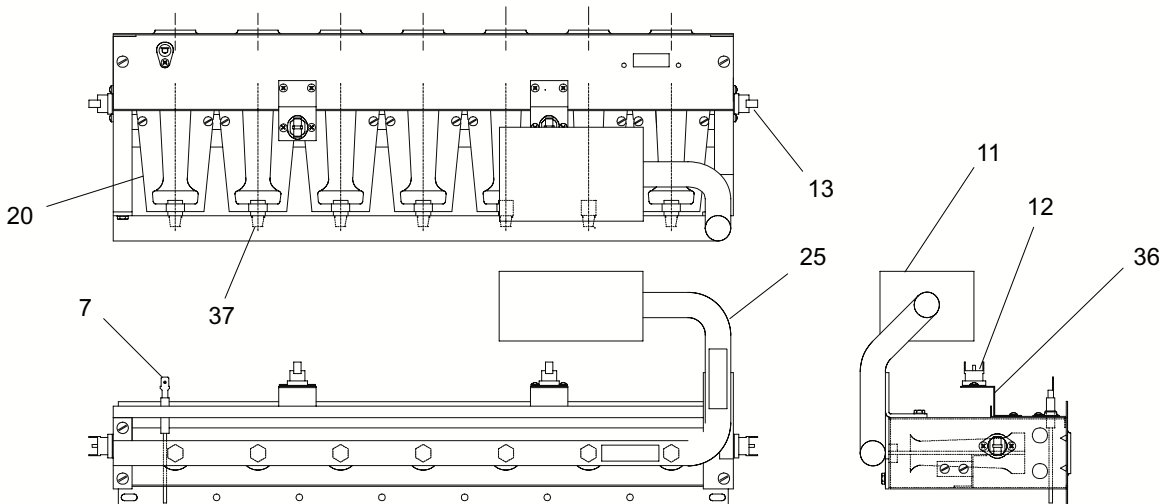


Figure 2: GAS CONTROLS

FIG	ITEM	DESCRIPTION	PV8C16N100DH11B	PV8C20N100DH11B	PV8C20N120DH11B
			PV8C16L100DH11B (5 BURNER)	PV8C20L100DH11B (5 BURNER)	PV8C20L120DH11B (6 BURNER)
<b>MOTOR</b>					
1	1	MOTOR, DIRECT DRIVE BLOWER	024-35302-000	024-35300-000	024-35301-000
*	1A	ECM MOTOR MODULE (Programmed)	324-32014-067	324-32015-068	324-32015-069
*	1B	MOTOR, BLOWER (Less ECM Module)	024-31947-000	024-31941-000	024-31941-000
1	2	MOTOR, VENTOR ASS'Y	024-27653-000	024-27653-000	024-27653-000
<b>ELECTRICAL</b>					
1	3	CFM SELECTION BOARD	031-09118-000	031-09118-000	031-09118-000
1	4	CONTROL, HIGH LIMIT [LS1]	025-29041-011	025-29041-007	025-29041-004
1	5	CONTROL, FURNACE [FC]	031-09117-000	031-09117-000	031-09117-000
1	6	IGNITOR	025-32625-000	025-32625-000	025-32625-000
1,2	7	SENSOR, FLAME	025-27773-000	025-27773-000	025-27773-000
1	8	SWITCH, AIR PRESSURE [1LP]	024-35275-000	024-35275-000	024-35276-000
1	9	SWITCH, DOOR [SW]	024-27640-000	024-27640-000	024-27640-000
1	10	TRANSFORMER	025-30889-000	025-30889-000	025-30889-000
1,2	11	VALVE, GAS	025-38915-000	025-35394-000	025-35394-000
1,2	12	CONTROL, LIMIT (Blower) (1 or 2 Req'd) [ROS1,2]	(1) 025-27747-018	(1) 025-27747-018	(2) 025-27747-018
2	13	LIMIT, FLAME ROLL-OUT (2 Req'd)	025-27792-009	025-27792-009	025-27792-009
	14				
	15				
<b>AIR MOVING</b>					
1	16	HOUSING, BLOWER	373-17829-001	373-19870-502	373-19870-502
*	16A	PANEL, FILLER WRAP	063-78006-000	073-19870-501	073-19870-501
1	17	WHEEL, BLOWER	026-19654-014	026-38510-000	026-38510-000
<b>FABRICATED PARTS</b>					
	18				
*	19	BAFFLE, FLUE	073-17775-003	073-17775-003	073-17775-004
1,2	20	BURNER, MAIN GAS	029-20482-000	029-20482-000	029-20482-000
1	21	BRACKET, IGNITOR	073-17403-000	073-17403-000	073-17403-000
1	22	DECK, BLOWER (Rear)	073-12082-000	073-23757-001	073-23757-001
1	23	DECK, FRONT	073-23762-003	073-23762-003	073-23762-003
1	24	HEAT EXCHANGER ASS'Y (Primary)	373-23820-006	373-23820-006	373-23820-007
2	25	MANIFOLD, GAS	029-22114-004	029-22114-004	029-22114-005
1	26	PANEL, FRONT (Lower)(Magnet)	373-23801-027	373-23801-027	373-23801-027
1	27	PANEL, BASE	073-23763-003	073-23763-003	073-23763-003
	28				
1	29	PANEL, FRONT (Upper) (Magnet)	373-23801-035	373-23801-035	373-23801-035
1	30	PANEL, TOP	073-23764-003	073-23764-003	073-23764-003
1	31	WRAPPER, INSULATED	373-19864-003	373-19864-003	373-19864-003
<b>MISCELLANEOUS</b>					
	32				
*	33	PLUG, OVAL WINDOW	025-38899-000	025-38899-000	025-38899-000
	34				
*	35	GROMMET, 1/2" DIA.	025-30823-000	025-30823-000	025-30823-000
1,2	36	BRACKET, ROLL-OUT SWITCH	073-12033-000	073-12033-000	073-12033-000
2	37	ORIFICE, BURNER (Natural #45)	029-21182-045	029-21182-045	029-21182-045
1	38	PLATE, RESTRICTOR	073-23821-006	073-23821-006	073-23821-009
1	39	COLLAR, FLUE	073-22222-000	073-22222-000	073-22222-000
*	40	BAFFLE, BLOWER	073-17854-003	073-17854-003	073-17854-003
*	41	GASKET, RESTRICTOR PLATE	028-13283-000	028-13283-000	028-13261-000
1	42	TUBING, SILICONE	028-12499-000	028-12499-000	028-12499-000
*	43	WIRING DIAGRAM	167078	167078	167078
*	44	WIRING HARNESS	373-23770-001	373-23770-001	373-23770-002
1	45	HOUSING, FLUE	026-35453-002	026-35453-002	026-35453-002
1	46	VENT PIPE	026-37300-002	026-37300-002	026-37300-002
*	47	RETAINER, INSULATION	073-18035-003	073-18035-003	073-18035-003
1	48	MOTOR MOUNT	073-19831-001	073-19831-001	073-19831-001
1	49	FERRULE (3 Req'd)	023-20541-000	023-20541-000	023-20541-000
1	50	GROMMET (3 Req'd)	028-14740-000	028-14740-000	028-14740-000
1	51	DOOR KNOB (Black) (4 Req'd) (Magnet)	029-24412-000	029-24412-000	029-24412-000
*	52	LO-NOX SCREENS ("L" Models only)	026-35452-000	026-35452-000	026-35452-000
*	53	MAGNET, DOOR	029-24413-000	029-24413-000	029-24413-000

NOTE: \*Not Shown

New replacement parts shown in **bold** face type at the first printing of parts list dated 4/06.

Major components and suggested stocking items are shown with shaded item number.

"<" Across from row indicates a change in that row.

--- Not applicable to specified model.

**NOTE: This parts list also contains new 80 - 4T - 21" cabinet "Style A" models designed and produced after the "Style B" models on this list.**

**TO ORDER AUTHORIZED FACTORY REPLACEMENT PARTS** - Contact your Source1 HVAC Parts Distributor or visit our website at **www.Source1Parts.com** for a Distributor and Dealer listing.

Subject to change without notice. Printed in U.S.A.  
Copyright © by York International Corp. 2006. All rights reserved.

035-20850-001 Rev. B (0406)  
Supersedes: 035-20850-001 Rev. A (1205)

---

<b>Unitary Products Group</b>	<b>5005 York Drive</b>	<b>Norman OK 73069</b>
---------------------------------------	--------------------------------	--------------------------------