



www.Source1Parts.com

# PV8 SERIES 2-STAGE DOWNFLOW/HORIZONTAL 80% VARIABLE SPEED NATURAL GAS FURNACES (STYLE D , Some C) INCLUDES LO-NOX "L" MODELS

HVAC SERVICE PARTS

Supersedes: Nothing

035-21318-001 Rev. A (0207)

1 of 4

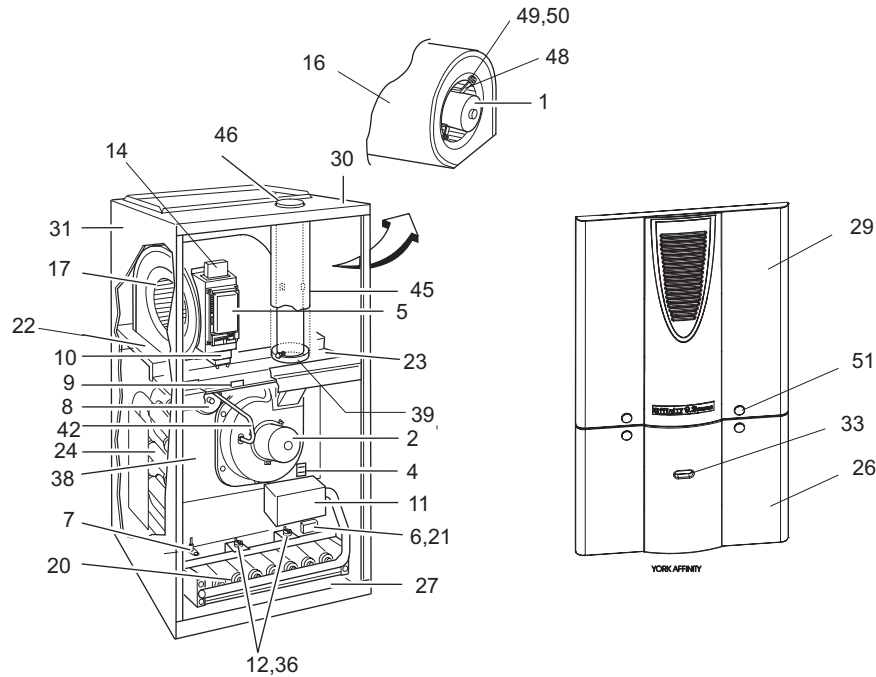


Figure 1: 2-STAGE DOWNFLOW/HORIZONTAL VARIABLE SPEED NATURAL GAS FURNACES (80%)

FIG	ITEM	DESCRIPTION	PV8A12N060DH11C	PV8B16N080DH11D	PV8C16N080DH11C
			PV8A12L060DH11C (3 BURNER)	PV8B16L080DH11D (4 BURNER)	PV8C16L080DH11C (4 BURNER)
<b>MOTOR</b>					
1	1	MOTOR/MODULE, ECM (Complete, Programmed)	S1-02435298000	S1-02435299000	S1-02435302000
*	1A	ECM MOTOR MODULE (Programmed, less motor)	S1-32432013065	S1-32432014066	S1-32432014067
*	1B	MOTOR, BLOWER (Less ECM Module)	S1-0243194000	S1-02431947000	S1-02431947000
1	2	MOTOR, VENTOR ASS'Y	S1-02427653000	S1-02427653000	S1-02427653000
<b>ELECTRICAL</b>					
	3				
1	4	CONTROL, HIGH LIMIT [LS1]	S1-02529041005	S1-02529041011	S1-02529041011
1	5	CONTROL, FURNACE [FC]	<b>S1-03109169000</b>	<b>S1-03109169000</b>	<b>S1-03109169000</b>
1	6	IGNITOR	S1-02532625000	S1-02532625000	S1-02532625000
1,2	7	SENSOR, FLAME	S1-02527773000	S1-02527773000	S1-02527773000
1	8	SWITCH, AIR PRESSURE [1LP]	S1-02435273000	S1-02435274000	S1-02435275000
1	9	SWITCH, DOOR [SW]	S1-02427640000	S1-02427640000	S1-02427640000
1	10	TRANSFORMER	S1-02530889000	S1-02530889000	S1-02530889000
1,2	11	VALVE, GAS	S1-02538915000	S1-02538915000	S1-02538915000
1,2	12	CONTROL, LIMIT (Blower) (1 Req'd) [ROS1]	S1-02527747016	S1-02527747016	S1-02527747016
2	13	LIMIT, FLAME ROLL-OUT (2 Req'd)	S1-02527792009	S1-02527792009	S1-02527792009
1	14	CHOKE, PFC	S1-02435605000	S1-02435605000	S1-02435605000
	15				
<b>AIR MOVING</b>					
1	16	HOUSING, BLOWER	S1-37317827001	S1-37317829001	S1-37317829001
*	16A	PANEL, FILLER WRAP	---	S1-06378006000	S1-06378006000
1	17	WHEEL, BLOWER	S1-02619654003	S1-02619654014	S1-02619654014

NOTE: \*Not Shown  
New replacement parts shown in **bold** face type at the first printing of parts list dated 2/07.  
Major components and suggested stocking items are shown with shaded item number.  
"←" Across from row indicates a change in that row.  
--- Not applicable to specified model.

FIG	ITEM	DESCRIPTION	PV8A12N060DH11C	PV8B16N080DH11D	PV8C16N080DH11C
			PV8A12L060DH11C	PV8B16L080DH11D	PV8C16L080DH11C
			(3 BURNER)	(4 BURNER)	(4 BURNER)
<b>FABRICATED PARTS</b>					
	18				
*	19	BAFFLE, FLUE	S1-07317775001	S1-07317775002	S1-07317775003
1,2	20	BURNER, MAIN GAS	S1-02920482000	S1-02920482000	S1-02920482000
1	21	BRACKET, IGNITOR	S1-07317403000	S1-07317403000	S1-07317403000
1	22	DECK, BLOWER (Rear)	S1-07317502001	S1-07317503001	S1-07312082000
1	23	DECK, FRONT	S1-07323762000	S1-07323762002	S1-07323762003
1	24	HEAT EXCHANGER ASS'Y (Primary)	S1-37323820002	S1-37323820004	S1-37323820001
2	25	MANIFOLD, GAS	S1-02922114002	S1-02922114003	S1-02922114003
1	26	PANEL, FRONT (Lower) (Magnet)	S1-37323801025	S1-37323801026	S1-37323801027
1	27	PANEL, BASE	S1-07323763001	S1-07323763002	S1-07323845001
	28				
1	29	PANEL, FRONT (Upper) (Magnet)	S1-37323801033	S1-37323801034	S1-37323801035
1	30	PANEL, TOP	S1-07323764001	S1-07323764002	S1-07323764003
1	31	WRAPPER, INSULATED	S1-37319864001	S1-37319864002	S1-37319864003
<b>MISCELLANEOUS</b>					
	32				
1	33	PLUG, OVAL WINDOW	S1-02538899000	S1-02538899000	S1-02538899000
	34				
*	35	GROMMET, 1/2" DIA.	S1-02530823000	S1-02530823000	S1-02530823000
1,2	36	BRACKET, ROLL-OUT SWITCH	S1-07312033000	S1-07312033000	S1-07312033000
2	37	ORIFICE, BURNER (Natural #45)	S1-02921182045	S1-02921182045	S1-02921182045
1	38	PLATE, RESTRICTOR	S1-07323821011	S1-07323821001	S1-07323821008
1	39	COLLAR, FLUE	S1-07322222000	S1-07322222000	S1-07322222000
*	40	BAFFLE, BLOWER	S1-07317854004	S1-07317854004	S1-07317854003
*	41	GASKET, RESTRICTOR PLATE	S1-02813258000	S1-02813281000	S1-02813283000
1	42	TUBING, SILICONE	S1-02812499000	S1-02812499000	S1-02812499000
*	43	WIRING DIAGRAM	270848	270848	270848
*	44	WIRING HARNESS (Main)	S1-37323770001	S1-37323770001	S1-37323770001
1	45	HOUSING FLUE	S1-02635453002	S1-02635453002	S1-02635453002
1	46	VENT PIPE	S1-02637300002	S1-02637300002	S1-02637300002
*	47	WIRING HARNESS (16 Pin)	<b>S1-02541130000</b>	<b>S1-02541130000</b>	<b>S1-02541130000</b>
1	48	MOTOR MOUNT	S1-07319831001	S1-07319831001	S1-07319831001
1	49	FERRULE (3 Req'd)	S1-02320541000	S1-02320541000	S1-02320541000
1	50	GROMMET (3 Req'd)	S1-02814740000	S1-02814740000	S1-02814740000
1	51	DOOR KNOB (Black)(4 Req'd) (Magnet)	S1-02924412000	S1-02924412000	S1-02924412000
*	52	LO-NOX SCREENS ("L" Models only)	S1-02635452000	S1-02635452000	S1-02635452000
*	53	MAGNET, DOOR	S1-02924413000	S1-02924413000	S1-02924413000

NOTE: \*Not Shown  
 New replacement parts shown in **bold** face type at the first printing of parts list dated 2/07.  
 Major components and suggested stocking items are shown with shaded item number.  
 "<" Across from row indicates a change in that row.  
 --- Not applicable to specified model.

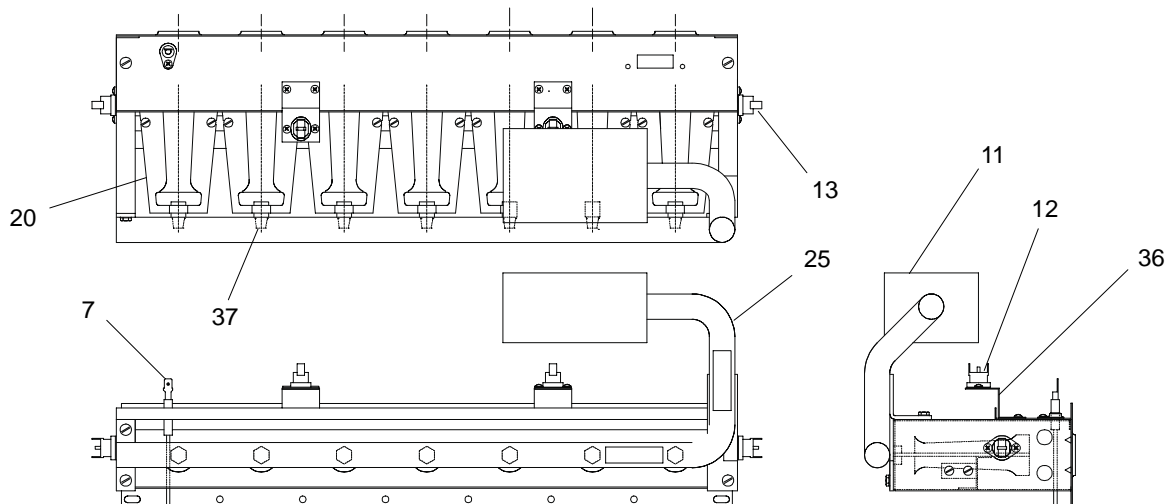


Figure 2: GAS CONTROLS

FIG	ITEM	DESCRIPTION	PV8C16N100DH11D	PV8C20N100DH11D	PV8C20N120DH11D
			PV8C16L100DH11D (5 BURNER)	PV8C20L100DH11D (5 BURNER)	PV8C20L120DH11D (6 BURNER)
<b>MOTOR</b>					
1	1	MOTOR/MODULE, ECM (Complete, Programmed)	S1-02435302000	S1-02435300000	S1-02435301000
*	1A	ECM MOTOR MODULE (Programmed, less motor)	S1-32432014067	S1-32432015068	S1-32432015069
*	1B	MOTOR, BLOWER (Less ECM Module)	S1-02431947000	S1-02431941000	S1-02431941000
1	2	MOTOR, VENTOR ASS'Y	S1-02427653000	S1-02427653000	S1-02427653000
<b>ELECTRICAL</b>					
	3				
1	4	CONTROL, HIGH LIMIT [LS1]	S1-02529041011	S1-02529041007	S1-02529041004
1	5	CONTROL, FURNACE [FC]	<b>S1-03109169000</b>	<b>S1-03109169000</b>	<b>S1-03109169000</b>
1	6	IGNITOR	S1-02532625000	S1-02532625000	S1-02532625000
1,2	7	SENSOR, FLAME	S1-02527773000	S1-02527773000	S1-02527773000
1	8	SWITCH, AIR PRESSURE [1LP]	S1-02435275000	S1-02435275000	S1-02435276000
1	9	SWITCH, DOOR [SW]	S1-02427640000	S1-02427640000	S1-02427640000
1	10	TRANSFORMER	S1-02530889000	S1-02530889000	S1-02530889000
1,2	11	VALVE, GAS	S1-02538915000	S1-02538915000	S1-02538915000
1,2	12	CONTROL, LIMIT (Blower) (1 or 2 Req'd) [ROS1,2]	(1) S1-02527747018	(1) S1-02527747018	(2) S1-02527747018
2	13	LIMIT, FLAME ROLL-OUT (2 Req'd)	S1-02527792009	S1-02527792009	S1-02527792009
1	14	CHOKE, PFC	S1-02435605000	S1-02435604000	S1-02435604000
	15				
<b>AIR MOVING</b>					
1	16	HOUSING, BLOWER	S1-37317829001	S1-37319870502	S1-37319870502
*	16A	PANEL, FILLER WRAP	S1-06378006700	S1-07319870501	S1-07319870501
1	17	WHEEL, BLOWER	S1-02619654014	S1-02638510000	S1-02638510000
<b>FABRICATED PARTS</b>					
	18				
*	19	BAFFLE, FLUE	S1-07317775003	S1-07317775003	S1-07317775004
1,2	20	BURNER, MAIN GAS	S1-02920482000	S1-02920482000	S1-02920482000
1	21	BRACKET, IGNITOR	S1-07317403000	S1-07317403000	S1-07317403000
1	22	DECK, BLOWER (Rear)	S1-07312082000	S1-07323737001	S1-07323737001
1	23	DECK, FRONT	S1-07323762003	S1-07323762003	S1-07323762003
1	24	HEAT EXCHANGER ASS'Y (Primary)	S1-37323820006	S1-37323820006	S1-37323820007
2	25	MANIFOLD, GAS	S1-02922114004	S1-02922114004	S1-02922114005
1	26	PANEL, FRONT (Lower) (Magnet)	S1-37323801027	S1-37323801027	S1-37323801027
1	27	PANEL, BASE	S1-07323763003	S1-07323763003	S1-07323763003
	28				
1	29	PANEL, FRONT (Upper) (Magnet)	S1-37323801035	S1-37323801035	S1-37323801035
1	30	PANEL, TOP	S1-07323764003	S1-07323764003	S1-07323764003
1	31	WRAPPER, INSULATED	S1-37319864003	S1-37319864003	S1-37319864003
<b>MISCELLANEOUS</b>					
	32				
1	33	PLUG, OVAL WINDOW	S1-02538899000	S1-02538899000	S1-02538899000
	34				
*	35	GROMMET, 1/2" DIA.	S1-02530823000	S1-02530823000	S1-02530823000
1,2	36	BRACKET, ROLL-OUT SWITCH	S1-07312033000	S1-07312033000	S1-07312033000
2	37	ORIFICE, BURNER (Natural #45)	S1-02921182045	S1-02921182045	S1-02921182045
1	38	PLATE, RESTRICTOR	S1-07323821006	S1-07323821006	S1-07323821009
1	39	COLLAR, FLUE	S1-07322222000	S1-07322222000	S1-07322222000
*	40	BAFFLE, BLOWER	S1-07317854003	S1-07317854003	S1-07317854003
*	41	GASKET, RESTRICTOR PLATE	S1-02813283000	S1-02813283000	S1-02813283000
1	42	TUBING, SILICONE	S1-02812499000	S1-02812499000	S1-02812499000
*	43	WIRING DIAGRAM	270848	270848	270848
*	44	WIRING HARNESS (Main)	S1-37323770001	S1-37323770001	S1-37323770002
1	45	HOUSING, FLUE	S1-02635453002	S1-02635453002	S1-02635453002
1	46	VENT PIPE	S1-02637300002	S1-02637300002	S1-02637300002
*	47	WIRING HARNESS (16 Pin)	<b>S1-02541130000</b>	<b>S1-02541130000</b>	<b>S1-02541130000</b>
1	48	MOTOR MOUNT	S1-07319831001	S1-07319831001	S1-07319831001
1	49	FERRULE (3 Req'd)	S1-02320541000	S1-02320541000	S1-02320541000
1	50	GROMMET (3 Req'd)	S1-02814740000	S1-02814740000	S1-02814740000
1	51	DOOR KNOB (Black)(4 Req'd) (Magnet)	S1-02924412000	S1-02924412000	S1-02924412000
*	52	LO-NOX SCREENS ("L" Models only)	S1-02635452000	S1-02635452000	S1-02635452000
*	53	MAGNET, DOOR	S1-02924413000	S1-02924413000	S1-02924413000

NOTE: \*Not Shown

New replacement parts shown in **bold** face type at the first printing of parts list dated 2/07.

Major components and suggested stocking items are shown with shaded item number.

"←" Across from row indicates a change in that row.

--- Not applicable to specified model.

# Motor does not include ECM module

**TO ORDER AUTHORIZED FACTORY REPLACEMENT PARTS** - Contact your Source1 HVAC Parts Distributor or visit our website at **www.Source1Parts.com** for a Distributor and Dealer listing.

Subject to change without notice. Printed in U.S.A.  
Copyright © by York International Corp. 2007. All rights reserved.

035-21318-001 Rev. A (0207)  
Supersedes: Nothing

---

**Unitary  
Products  
Group**

**5005  
York  
Drive**

**Norman  
OK  
73069**