

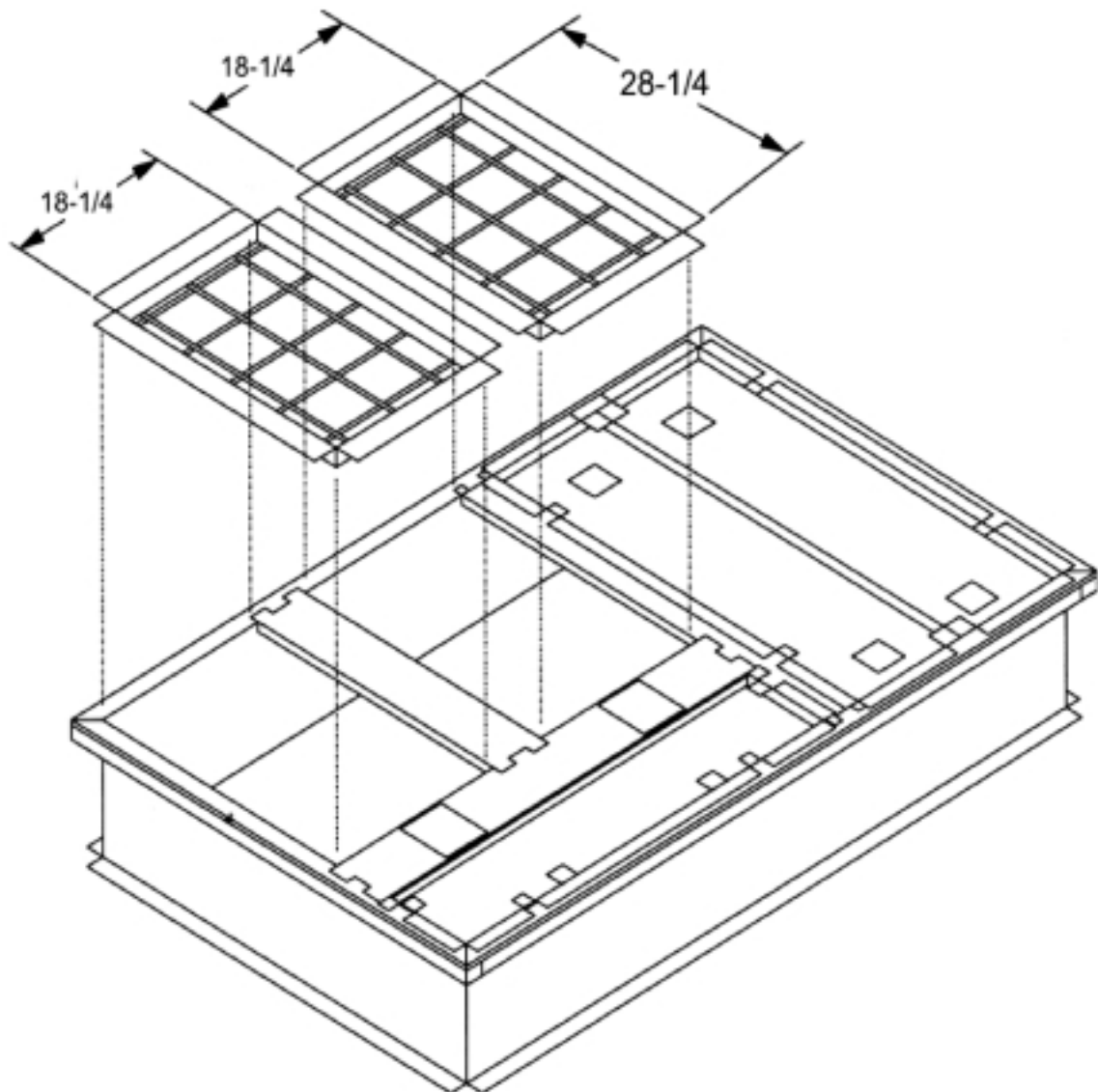
SUBMITTAL DATA SHEET



BURGLAR BAR

MODELS: DM/DH/BP 078, 090, 102, 120, 150

| | | | | | |
|-------------------|--|------|--------------|-----------|---------------|
| JOB NAME: | | | LOCATION: | | |
| PURCHASER: | | | ORDER NO: | | |
| ENGINEER: | | | | | |
| SUBMITTED TO: | | FOR: | REF: | APPROVAL: | CONSTRUCTION: |
| SUBMITTED BY: | | | DATE: | | |
| UNIT DESIGNATION: | | | SCHEDULE NO. | MODEL NO. | |



DIMENSIONS - INCHES

NOTES:

Subject to change without notice. Printed in U.S.A.
Copyright © by Unitary Products Group 2000. All rights reserved.

CD: 6-22008

036-22008-001 Rev. A (0401)
Supersedes: Nothing

| | | |
|------------------------------|-----------------------|-----------------------|
| Unitary Products Group | 5005 York Drive | Norman OK 73069 |
|------------------------------|-----------------------|-----------------------|