

SUBMITTAL DATA SHEET



Heating and Air Conditioning

SPLIT SYSTEM CONDENSING UNITS
14 SEER - 3.5 thru 5 TON
MODELS: H*RE042 & H*RE060

JOB NAME:			LOCATION:		
PURCHASER:			ORDER NO.:		
ENGINEER:					
SUBMITTED TO:		FOR:	REF:	APPROVAL:	CONSTRUCTION:
SUBMITTED BY:			DATE:		
UNIT DESIGNATION:			SCHEDULE NO.	MODEL NO.	

PRODUCT DATA

Cooling Performance

Total Capacity _____ MBH

Outdoor Design Temp _____ °F

Electrical Data

Power Supply _____ / / _____

Total Unit Ampacity _____ AMPs

Power Input Req _____ KW

Minimum Wire Size _____ AWG

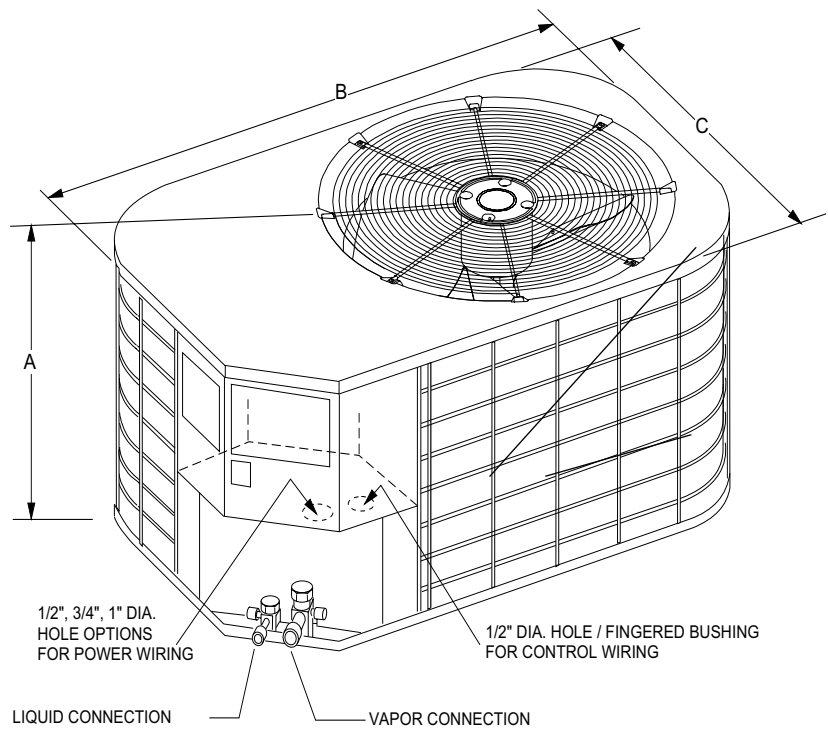
Maximum Overcurrent Device

Fuses Circuit Breaker

Unit Weight

Unit Weight _____ LBS

DIMENSIONS - INCHES



UNIT MODEL	DIMENSIONS			REFRIGERANT CONNECTION	
	A*	B	C	LINE SIZE	
				LIQUID	VAPOR
042	36	43	32	3/8	1-1/8
048	36	43	32		
060	38	43	32		

*. Includes fan guard.

All dimensions are in inches. They are subject to change without notice. Certified dimensions will be provided upon request.



