

# SUBMITTAL DATA SHEET



Heating and Air Conditioning

## SPLIT-SYSTEM EVAPORATOR BLOWERS 25, 30 & 40 TONS MODELS: LA300, LB360 & LB480

JOB NAME:			LOCATION:		
PURCHASER:			ORDER NO.:		
ENGINEER:					
SUBMITTED TO:		FOR:	REF:	APPROVAL:	CONSTRUCTION:
SUBMITTED BY:		DATE:			
UNIT DESIGNATION:			SCHEDULE NO.		MODEL NO.

### PRODUCT DATA

#### Cooling Performance

Total Capacity ..... MBH  
Sensible Capacity ..... MBH  
Evaporator Pressure at Saturation ..... PSIG  
Evaporator Temperature at Saturation ..... °F  
Total Supply Air ..... CFM  
Temp. of air Entering Evaporator Coil ..... / ..... °F DB/WB

#### Heating Performance

Refer to field-installed accessories on reverse side.

#### Supply Air Blower Performance

Total Supply Air ..... CFM  
Total Resistance External To Unit ..... IWG  
Blower Speed ..... RPM  
Blower Output Requirement ..... BHP  
Motor Rating ..... HP  
Power Input Requirement ..... KW

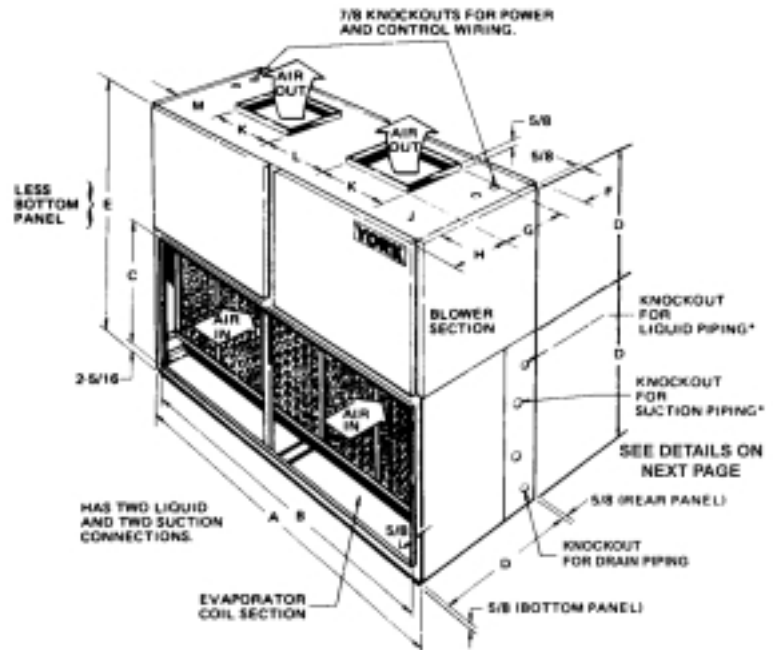
#### Electrical Data

Power Supply ..... / /  
Total Unit Ampacity ..... AMPS  
Minimum Wire Size ..... AWG (Copper Conductors)  
Maximum Fuse Size Dual Element ..... AMPS

#### Unit Weight

Total Operating Weight ..... LBS (Including field-installed accessories)

### DIMENSIONS - INCHES



MODEL	A	B	C	D	E	F	G
LA300/LB360	100-1/8	95-5/8	33-1/4	36-5/8	73-1/4	2-1/2	18-7/8
LB480	103-1/8	95-5/8	40-5/8	44	88	2-1/2	18-7/8

MODEL	H	J	K	L	M	N	P
LA300/LB360	16-1/2	15-13/16	21-7/8	18	22-9/16	1	2-1/8
LB480	23-7/8	20-11/16	21-7/8	18	20-11/16	1/1/08	1-5/8

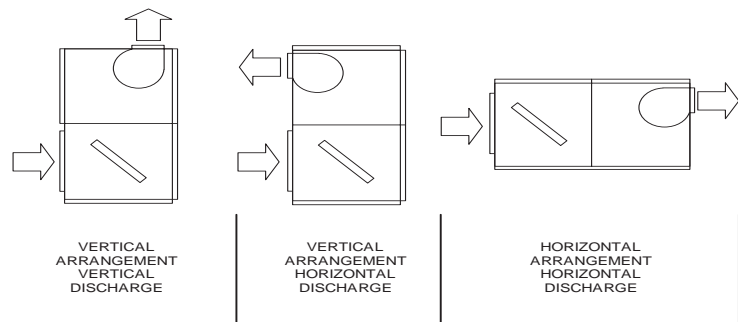
#### ACCESSORIES

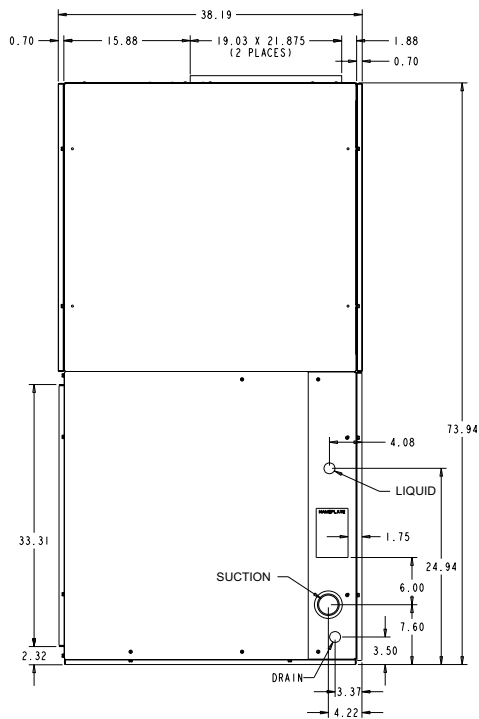
Heating Coil - Add 6" to unit height when used.  
Base - Add 23-3/8" height when used.

#### CLEARANCES

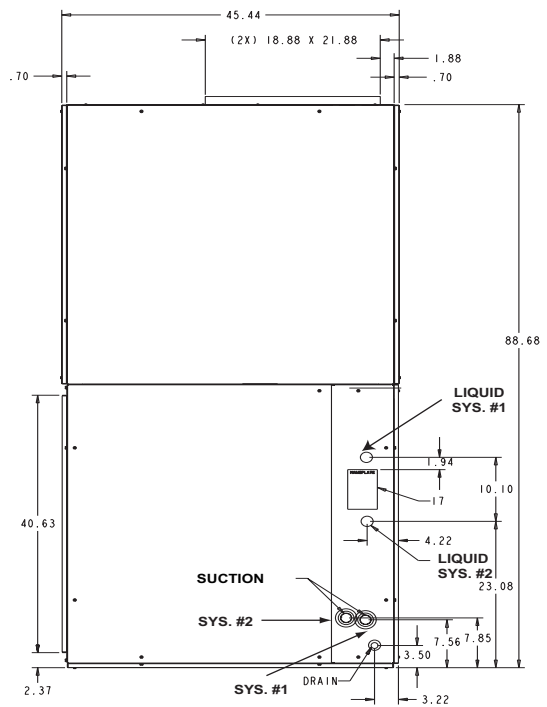
24" 24" on one side for piping connection and access to blower motor.  
1" on opposite side. 1" on rear.

#### INSTALLATION CONFIGURATION

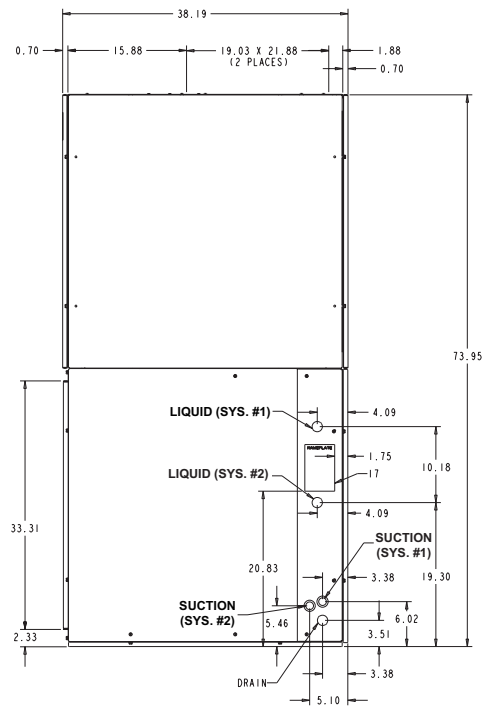




**LA300 PIPING CONNECTIONS**

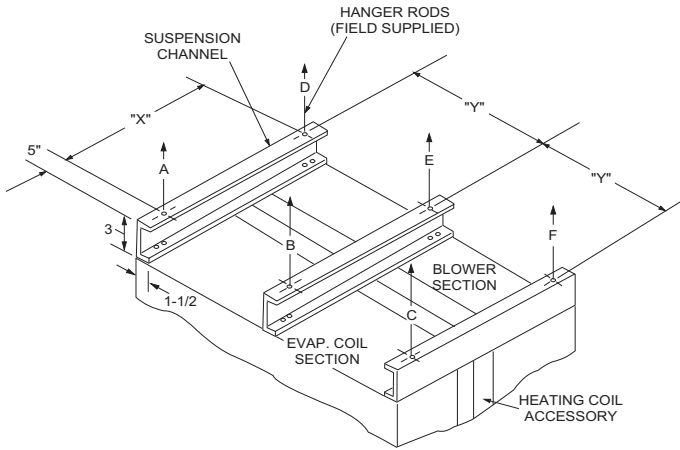


**LB480 PIPING CONNECTIONS**



**LB360 PIPING CONNECTIONS**

## SUSPENSION MOUNTING (Horizontal Application)



Four 3/8" - 16 weld nuts are provided in the unit support angles for ceiling suspension. Knockouts are provided in panels for access to these weld nuts. Support rods must be supplied in the field.

### FIELD-INSTALLED ACCESSORIES

- SUPPLY AIR PLENUM (1SP0451) .....
- RETURN AIR GRILLE (1RG0451) .....
- BASE (1BS0451) .....
- (Vertical Application Only)

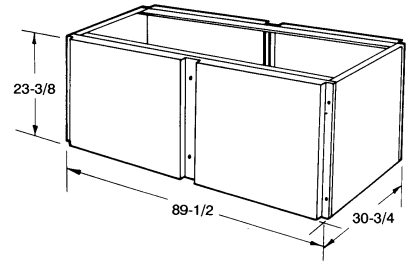
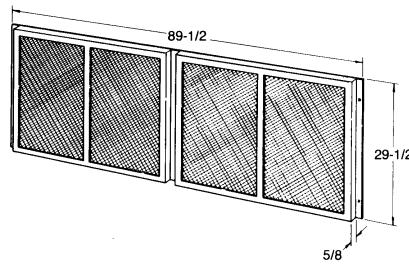
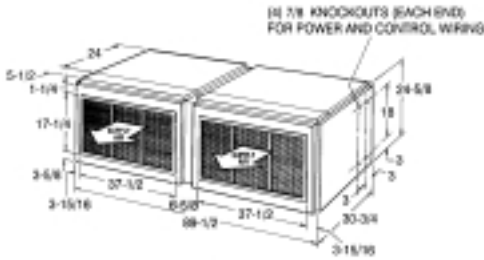
<b>SUSPENSION WEIGHTS, LBS.</b>					
A	B	C	D	E	F

<b>DIMENSIONS, IN.</b>	
A	B

- STEAM COIL (1NF0451) .....
- Steam Pressure ..... \_\_\_\_\_ PSIG
- Capacity ..... \_\_\_\_\_ MBH
- Steam Rate ..... \_\_\_\_\_ LBS/HR
- Entering Air Temperature ..... \_\_\_\_\_ °F
- HOT WATER COIL (1H20451) .....
- Capacity ..... \_\_\_\_\_ MBH
- Entering Water Temperature ..... \_\_\_\_\_ °F
- Water Flow Rate ..... \_\_\_\_\_ GPM
- Entering Air Temperature ..... \_\_\_\_\_ °F
- Water Pressure Drop ..... \_\_\_\_\_ PSI

\* Units with electric heat have a single source power supply. Refer to PRODUCT DATA on front side for electrical data.

## ACCESSORY DIMENSIONS - INCHES



### **NOTES:**

---



---



---

Subject to change without notice. Printed in U.S.A.  
 Copyright © by Unitary Products Group 2002. All rights reserved.

036-22149-002-A-1102  
 Supersedes: 036-22149-001-A-0102

Unitary  
 Products  
 Group

5005  
 York  
 Drive

Norman  
 OK  
 73069