

SUBMITTAL DATA SHEET



Heating and Air Conditioning

SPLIT-SYSTEM EVAPORATOR BLOWERS 50 TONS MODELS: LB600 & M2CX600

JOB NAME:			LOCATION:		
PURCHASER:			ORDER NO.:		
ENGINEER:					
SUBMITTED TO:		FOR:	REF:	APPROVAL:	CONSTRUCTION:
SUBMITTED BY:		DATE:			
UNIT DESIGNATION:			SCHEDULE NO.		MODEL NO.

PRODUCT DATA

Cooling Performance

Total Capacity MBH
 Sensible Capacity MBH
 Evaporator Pressure at Saturation PSIG
 Evaporator Temperature at Saturation °F
 Total Supply Air CFM
 Temp. of air Entering Evaporator Coil °F DB/WB

Heating Performance

Refer to field-installed accessories on reverse side.

Supply Air Blower Performance

Total Supply Air CFM
 Total Resistance External To Unit IWG
 Blower Speed RPM
 Blower Output Requirement BHP
 Motor Rating HP
 Power Input Requirement KW

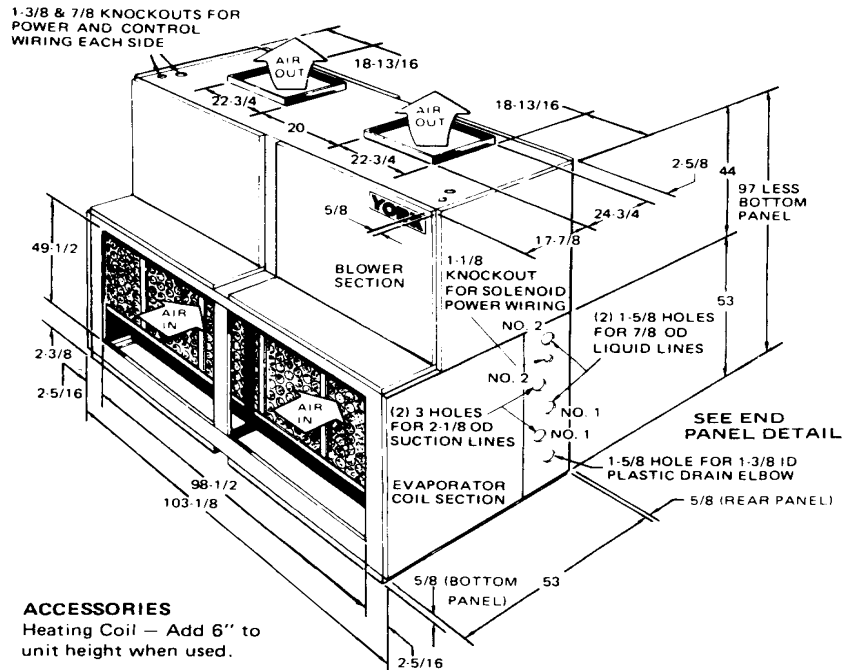
Electrical Data

Power Supply / /
 Total Unit Ampacity AMPS
 Minimum Wire Size AWG (Copper Conductors)
 Maximum Fuse Size
 Dual Element AMPS

Unit Weight

Total Operating Weight LBS (Including field-installed accessories)

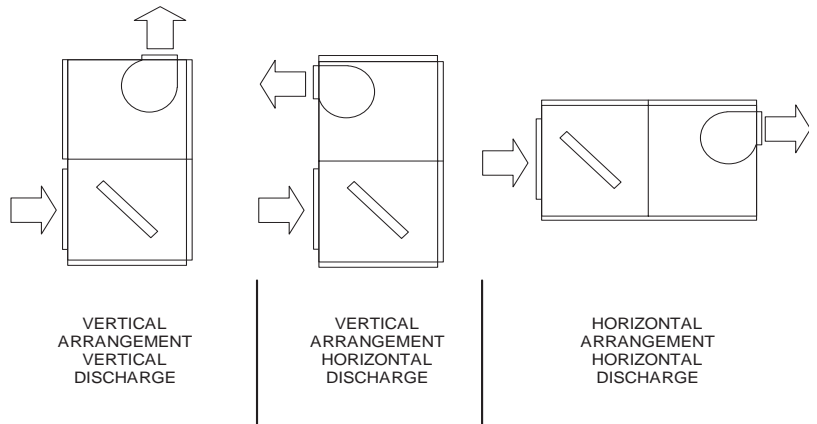
DIMENSIONS - INCHES



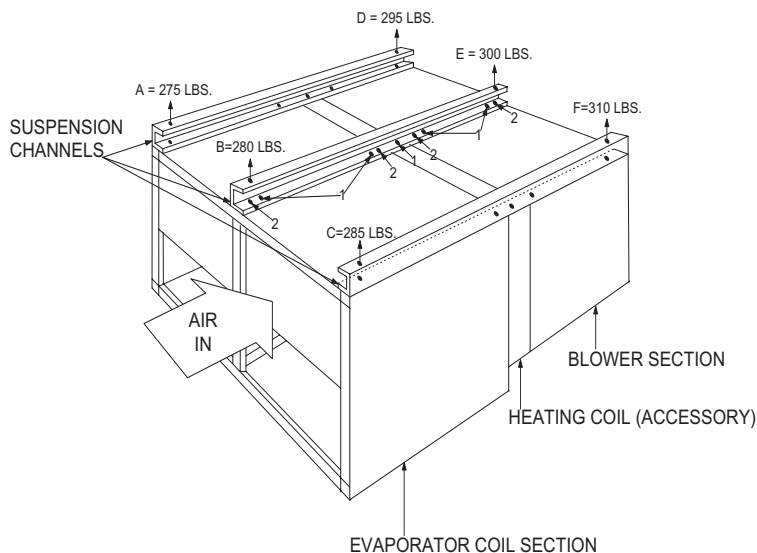
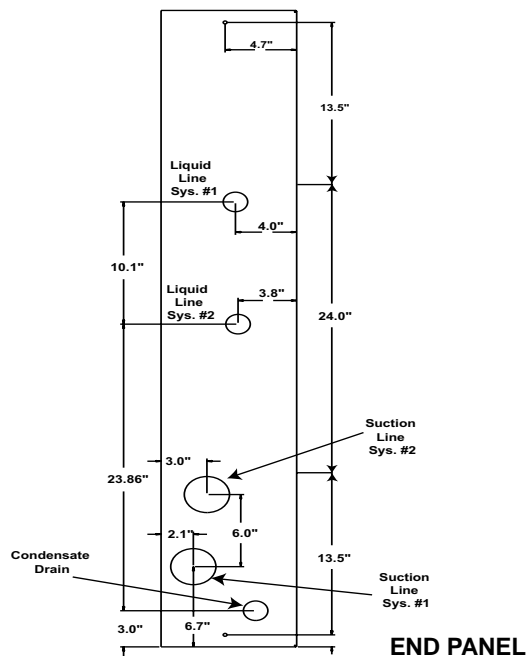
ACCESSORIES
 Heating Coil – Add 6" to unit height when used.

CLEARANCES
 24" on one side for piping connections and access to blower motor.
 1" on opposite side.
 1" on rear.

INSTALLATION CONFIGURATION



SUSPENSION MOUNTING (Horizontal Application)

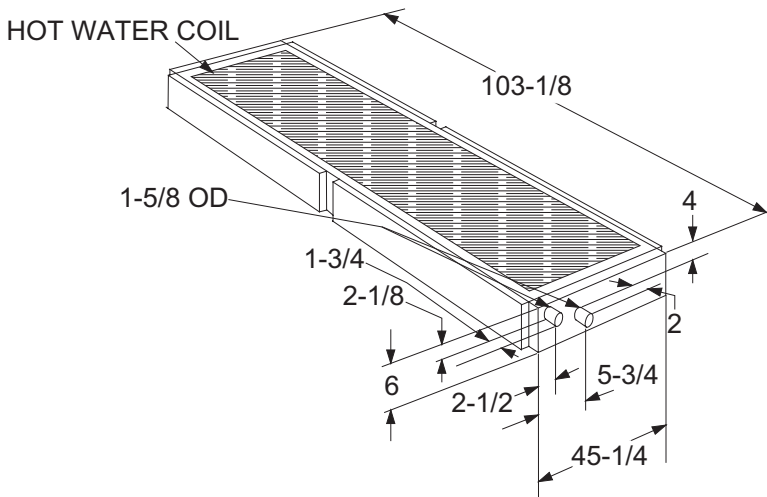


FIELD-INSTALLED ACCESSORIES

- HOT WATER COIL (1HW0407)
- Capacity MBH
- Entering Water Temperature °F
- Water Flow Rate GPM
- Entering Air Temperature °F
- Water Pressure Drop PSI

ACCESSORY DIMENSIONS - INCHES

HEATING COILS CAN BE FIELD-INSTALLED BETWEEN EVAPORATOR COIL SECTION AND BLOWER SECTION. THEY CAN BE POSITIONED FOR CONNECTIONS EITHER END OF UNIT.



NOTES:

Subject to change without notice. Printed in U.S.A.
 Copyright © by Unitary Products Group 2002. All rights reserved.

036-22150-002-A-1102
 Supersedes: 036-22150-001-A-0102