

JOB NAME _____ **LOCATION** _____
PURCHASER _____ **ORDER NO.** _____
ENGINEER _____
SUBMITTED TO _____ **FOR:** Reference Approval Construction
SUBMITTED BY _____ **DATE** _____

UNIT DESIGNATION: Schedule No. _____ **MODEL NO.** _____

PRODUCT DATA

COOLING PERFORMANCE

TOTAL CAPACITY MBH
 OUTDOOR DESIGN TEMP. °F
 SUCT. PRESS. AT SATURATION PSIG
 SUCT. TEMP. AT SATURATION. °F

ELECTRICAL DATA

POWER SUPPLY /
 TOTAL UNIT AMPACITY AMPS
 POWER INPUT REQUIREMENT KW
 MAXIMUM FUSE SIZE AMPS
 (Dual Element)

UNIT WEIGHT

TOTAL OPERATING WEIGHT. LBS.

FEATURES:

- High Efficiency
- UL listed to US and Canadian Standards
- Dual Hermetic Scroll Compressors with Capacity Reduction
- Propeller-Type Condenser Fans
- Inherently Protected Fan Motors with Ball Bearings
- Low Ambient to 35°F
- Anti-Cycle Protection
- Refrigerant-22 Holding Charge
- 24 Volt Temperature Control Circuit
- Crankcase Heaters
- Copper Tube/Aluminum Fin Coil
- Exterior Service Port Connections
- Base Rails with Forklift Slots
- High, Low Pressure Controls
- Backseating Suction and Liquid Line Service Valves
- Filter-Drier Supplied for Field Installation

FIELD INSTALLED ACCESSORIES:

- 0° Low Ambient Controls
- Decorative Coil Guard
- Phenolic Coating on Condenser Coil

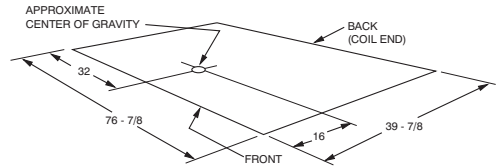
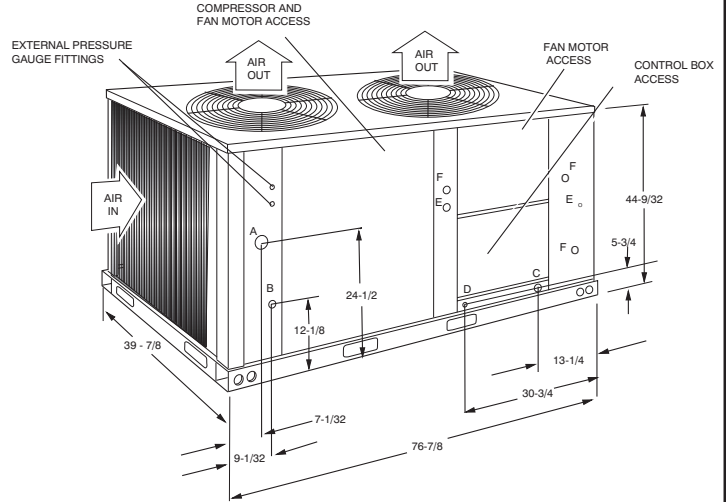
MATCHING AIR SIDE EQUIPMENT:

Model No. (.....)
 Submittal Form No. (.....)

NOTES: _____

Refer to form 550.23-TG3Y for detailed specifications on the unit and its accessories. Subject to change without notice. Printed in the U. S. A.

DIMENSIONS - INCHES



Connection Entry	Connection Size	
	10 Ton	
Suction Line	A	1-3/8 OD
Liquid Line	B	5/8 OD
Power Wiring	C	1-3/4 KO
Control Wiring	D	7/8 KO
Accessory Wiring	E	7/8 KO
Accessory Wiring	F	1-3/8 KO

CLEARANCES

Overhead (Top) ¹ 120 in.
 Front (Piping & Access Panels) 30 in.
 Left Side 24 in.
 Right Side 24 in.
 Rear 24 in.
 Bottom ² 0 in.

¹Units must be installed outdoors. Overhanging structures or shrubs should not obstruct condenser air discharge.
²Adequate snow clearance must be provided if winter operation is expected.

SPLIT-SYSTEM CONDENSING UNITS
MODELS HA120
10 TONS

036-22160-001-B-0502

Supersedes: 036-22160-001-A-0202

