

JOB NAME _____ LOCATION _____
 PURCHASER _____ ORDER NO. _____
 ENGINEER _____
 SUBMITTED TO _____ FOR: Reference Approval Construction
 SUBMITTED BY _____ DATE _____

UNIT DESIGNATION: Schedule No. _____ MODEL NO. _____

PRODUCT DATA

COOLING PERFORMANCE

TOTAL CAPACITY MBH
 SENSIBLE CAPACITY MBH
 EVAPORATOR PRESSURE
 AT SATURATION PSIG
 EVAPORATOR TEMPERATURE
 AT SATURATION °F
 TOTAL SUPPLY AIR CFM
 TEMP. OF AIR ENTERING
 EVAPORATOR COIL / °F DB/WB

HEATING PERFORMANCE

Refer to field-installed accessories on reverse side.

SUPPLY AIR BLOWER PERFORMANCE

TOTAL SUPPLY AIR CFM
 TOTAL RESISTANCE EXTERNAL
 TO UNIT IWG
 BLOWER SPEED RPM
 POWER OUTPUT REQUIREMENT .. BHP
 MOTOR RATING HP
 POWER INPUT REQUIREMENT KW

ELECTRICAL DATA

POWER SUPPLY / /
 TOTAL UNIT AMPACITY AMPS
 MINIMUM WIRE SIZE AWG
 (Copper Conductors)
 MAXIMUM FUSE SIZE
 DUAL ELEMENT AMPS

UNIT WEIGHT

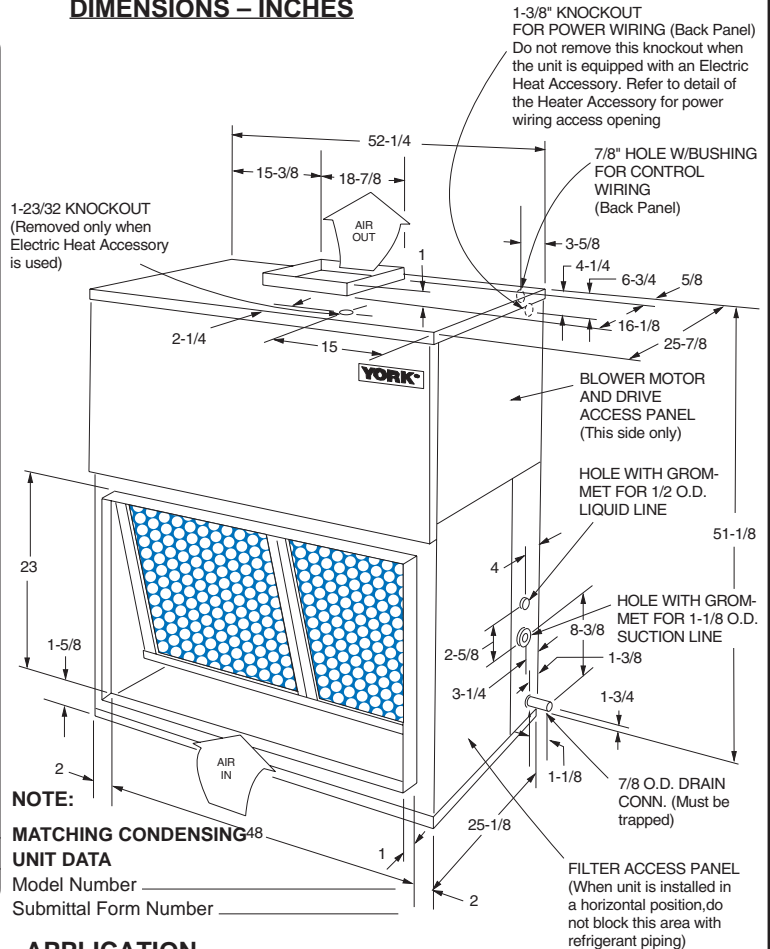
TOTAL OPERATING WEIGHT LBS.
 (Including field-installed accessories)

MINIMUM CLEARANCES

- Side with RETURN AIR opening 24"
- Side with SUPPLY AIR opening 24" ①
- Side with PIPING CONNECTIONS 52" ②
- Side opposite PIPING CONNECTIONS. 12"
- Side with access for both
 POWER & CONTROL WIRING ③
- Bottom ④

- ① Overall dimension of the unit will vary if an electric heater, a supply air plenum or a base is used.
- ② This dimension is required for removal of the coil. Only 26" is required for normal servicing.
- ③ Although no clearance is required for service and operation, some clearance may be required for routing the power and control wiring.
- ④ Allow enough clearance to trap the condensate drain line.

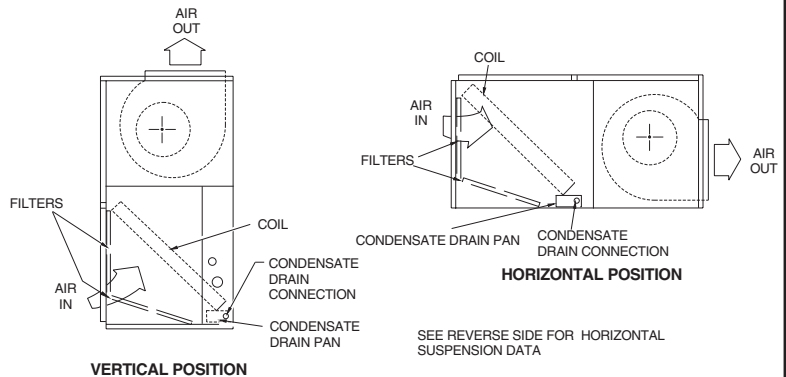
DIMENSIONS – INCHES



NOTE:

MATCHING CONDENSING UNIT DATA
 Model Number _____
 Submittal Form Number _____

APPLICATION



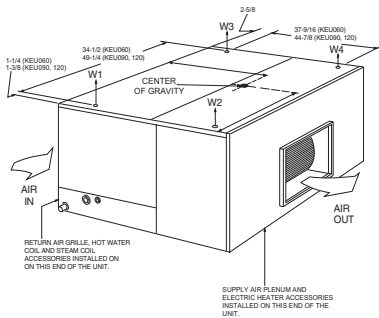
SPLIT-SYSTEM EVAPORATOR BLOWERS
7-1/2 TONS
MODEL LA090

036-22178-001-A-0402

Supersedes: Nothing



SUSPENSION MOUNTING (Horizontal Application)



SUSPENSION WEIGHTS, LBS.			
A	B	C	D

Four 3/8" - 16 weld nuts are provided in the unit support angles for ceiling suspension. Knockouts are provided in panels for access to these weld nuts. Support rods must be supplied in the field.

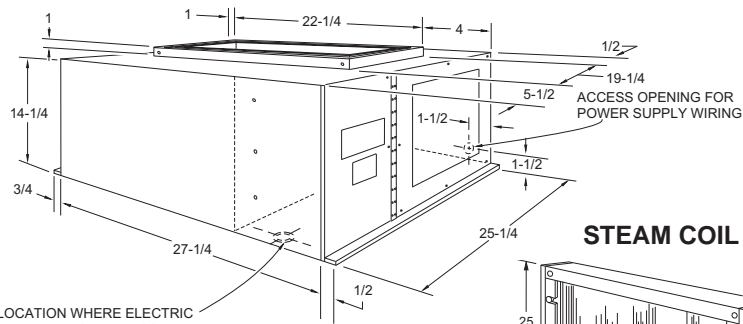
FIELD-INSTALLED ACCESSORIES

- SUPPLY AIR PLENUM (1SP0451)
- RETURN AIR GRILLE (1RG0451)
- BASE (1BS0451)
- (Vertical Application Only)
- ELECTRIC HEATER*
- Model Number _____
- Capacity (@ _____ Volts) _____ MBH
- Power Input Requirement _____ KW
- (Less Blower Motor)

- STEAM COIL (1NF0451)
 - Steam Pressure _____ PSIG
 - Capacity _____ MBH
 - Steam Rate _____ LBS/HR
 - Entering Water Temperature _____ °F
 - HOT WATER COIL (1HW0451)
 - Capacity _____ MBH
 - Entering Water Temperature _____ °F
 - Water Flow Rate _____ GPM
 - Entering Air Temperature _____ °F
 - Water Pressure Drop _____ PSI
- * Units with electric heat have a single source power supply. Refer to PRODUCT DATA on front side for electrical data.

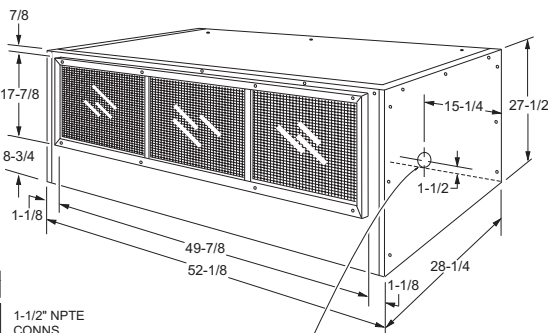
ACCESSORY DIMENSIONS – INCHES

ELECTRIC HEATER



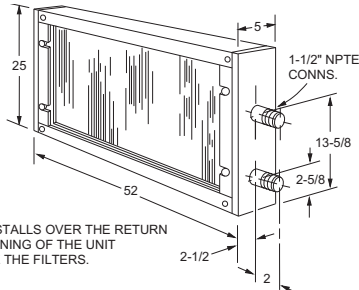
LOCATION WHERE ELECTRIC HEAT WIRING HARNESS PENETRATES THE CABINET OF THE BLOWER UNIT

SUPPLY AIR PLENUM



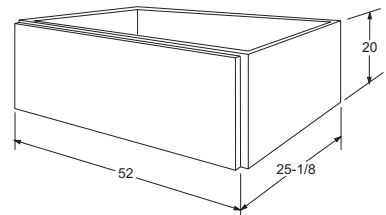
2-1/2 KNOCKOUT FOR POWER WIRING WHEN ELECTRIC HEATER IS USED

STEAM COIL

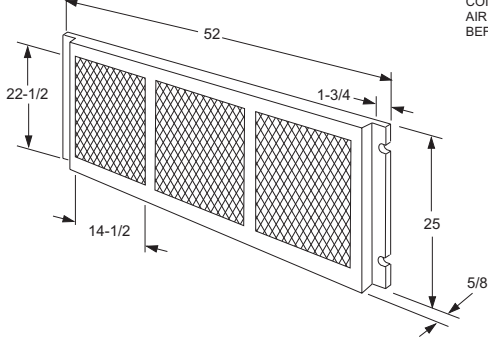


COIL INSTALLS OVER THE RETURN AIR OPENING OF THE UNIT BEFORE THE FILTERS.

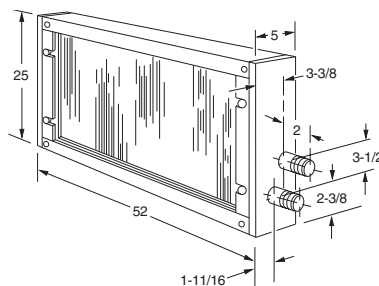
BASE



RETURN AIR GRILLE



HOT WATER COIL



NOTES:

Subject to change without notice. Printed in U.S.A.