



TECHNICAL GUIDE

AFFINITY

SPLIT-SYSTEM HEAT PUMPS

13 SEER – R-410A

MODELS: YZB018 THRU 060
(1.5 THRU 5 NOMINAL TONS)



Due to continuous product improvement, specifications are subject to change without notice.

Visit us on the web at www.york.com

Additional rating information can be found at www.ari.org/ariirectory.

DESCRIPTION

The YZB Series unit is the outdoor part of a versatile heat pump system. It is designed to be custom matched with one of our complete line of evaporator sections, each designed to serve a specific function. Matching air handlers are available for upflow, downflow, and horizontal left or right application to provide a complete system. Electric heaters are available if required. Add-on coils are available for use with upflow, downflow, or horizontal furnaces. Field installed accessories are available as needed.

WARRANTY

5-year limited parts warranty.

10-year limited compressor warranty.

FEATURES

- **Superior Coil Protection** – A stamped decorative metal coil guard completely protects coil from debris and other large damaging material while a polymer mesh further protects the coil against smaller particles.
- **Isolated Compressor Compartment** – A molded composite bulkhead isolates the compressor from the rest of the unit reducing sound and vibration.
- **Protected Compressors** – Each compressor is protected against high and low pressure as well as excessive temperature. This is accomplished by the simultaneous operation of a high pressure relief valve and temperature sensors which protect the compressor if undesirable conditions occur.
- **Environmentally Friendly Refrigerant** – Next generation refrigerant R-410A delivers environmentally friendly performance, with zero ozone depletion.
- **Durable Finish** – Automotive quality finish provides the ultimate protection from harmful U.V. rays as well as rust creep ensuring long-lasting high quality appearance. A powder-paint topcoat is applied over a baked-on primer, using a galvanized, zinc coated steel base material. The result is a finish that has been proven in testing to provide 33% greater durability than conventional powder-coat finishes.
- **Lower Installed Cost** – Designed to provide enhanced installability by featuring a slide-down control compartment allowing easy access to control components along with angled service valves to reduce overall installation time and cost.
- **Low Operating Sound Levels** – A fan design boasting technology adapted from aeronautic and defense engineering provides for whisper quiet operation by allowing airflow to flow smoothly and efficiently across the fan tips.
- **Filter-Drier** – A factory installed, solid core liquid line filter-drier filters harmful debris and moisture from the system.
- **Easy Service Access** – A full end, full service, access panel with handle makes for easy entry to internal components.
- **Long Lasting Operation** – Strong and durable composite base pan provides added strength while resisting rust and corrosion as well as reducing sound and vibration.
- **Complete System Control** – These heat pumps utilize the unique microprocessor defrost control system to provide optimal comfort as well as monitor the overall system for reliable operation. The defrost control system continuously monitors the space environment to maintain optimum efficiency. It initiates defrost only when necessary to further reduced heating costs and improve reliability. Supplemental heat can only operate below the balance point and then only upon need. In the event improper operating conditions occur (high temperature and/or high pressure), the will automatically shut the system down to extend the life of the heat pump. Rapid cycling is prevented by use of an internal anti-recycle timer. The defrost control features an internal memory to aid the technician in troubleshooting, reducing service time and cost.

Certified in accordance with the Unitary Small Equipment certification program, which is based on ARI Standard 210/240.

Physical and Electrical Data

MODEL		YZB1811	YZB02411	YZB03011	YZB03611	YZB04211	YZB04811	YZB06012
Unit Supply Voltage		208/230 – 1 – 60						
Normal Voltage Range ¹		187 to 252						
Minimum Circuit Ampacity		14.2	18.8	22.0	25.6	32.1	35.3	37.5
Max. Overcurrent Device Amps ²		25	30	35	40	50	60	60
Min. Overcurrent Device Amps ³		15	20	25	30	35	40	40
Compressor Type ⁴		Scroll	Scroll	Scroll	Scroll	Scroll	Scroll	Scroll
Compressor Amps	Rated Load	11.0	14.7	16.4	19.3	24.5	27.0	25.0
	Locked Rotor	51	60	73	88	105	113	150
Crankcase Heater		No	No	No	No	No	No	No
Fan Motor Amps	Rated Load	0.5	0.5	1.5	1.5	1.5	1.5	1.5
Fan Diameter Inches		22	22	22	22	22	22	24
Fan Motor	Rated HP	1/15	1/15	1/4	1/4	1/4	1/4	1/4
	Nominal RPM	850	850	850	850	850	850	850
	Nominal CFM	2,050	2,250	3,200	3,250	3,250	3,500	3,500
Coil	Face Area Sq Ft	14.86	17.15	17.15	20.58	20.58	20.58	23.58
	Rows Deep	1	1	1	1	1	2	2
	Fin /Inch	22	22	22	22	22	22	18
Liquid Line Set OD (Field Installed)		3/8	3/8	3/8	3/8	3/8	3/8	3/8
Vapor Line Set OD (Field Installed)		3/4	3/4	3/4	3/4	7/8	7/8	7/8
Unit Charge (Lbs - Oz) ⁵		7-1	7-10	7-9	9-5	9-2	12-5	16-8
Charge Per Foot, oz.		0.62	0.62	0.62	0.62	0.67	0.67	0.67
Operating Weight Lbs		175	190	195	220	220	260	265

1 Rated in accordance with ARI Standard 110, utilization range "A".

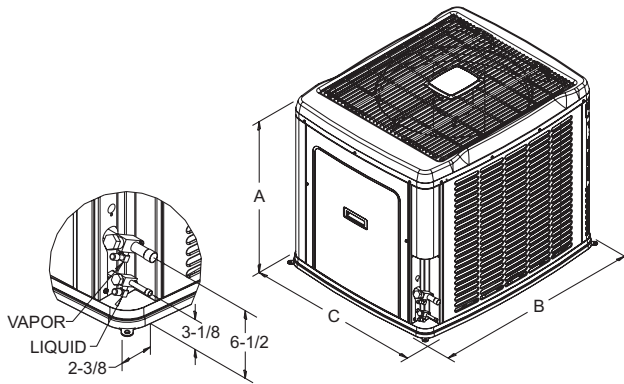
2 Dual element fuses or HACR circuit breaker. Maximum allowable overcurrent protection.

3 Dual element fuses or HACR circuit breaker. Minimum recommended overcurrent protection.

4 All scrolls listed with superscript "B" are Bristol scrolls. All scrolls listed with superscripts "C" are Copeland scrolls.

5 The Unit Charge is correct for the outdoor unit, matched indoor coil and 15 feet of refrigerant tubing. For tubing lengths other than 15 feet, add or subtract the amount of refrigerant, using the difference in length multiplied by the per foot value.

All dimensions are in inches. They are subject to change without notice. Certified dimensions will be provided upon request.



DIMENSIONS

Unit Model	Dimensions (Inches)			Refrigerant Connection Service Valve Size	
	A	B	C	Liquid	Vapor
018	29-1/2	37	31	3/8"	3/4"
024	33-1/2	37	31		
030	33-1/2	37	31		
036	39-1/2	37	31		
042	39-1/2	37	31		
048	39-1/2	37	31		
060	39-1/2	42	34		7/8"

Additional R-410A Charge / TXV Size for Various Matched Systems							
Outdoor Unit	YZB1811	YZB02411	YZB03011	YZB03611	YZB04211	YZB04811	YZB06012
Required TXV ¹	1TVM0901	1TVM0902	1TVM0903	1TVM0904	1TVM0904	1TVM0905	1TVM0906
Factory R-410A Charge, lbs-oz	7-1	7-10	7-9	9-5	9-2	12-5	16-8
Indoor Coil ²	TXV Kit ³ - Additional Charge, Oz						
Shaded areas indicate matches that require variable speed indoor unit to meet minimum efficiently standards. Data provided for charge adder information only.							
FC/MC/PC/UC18A	901 + 0	-	-	-	-	-	-
FC/MC/PC/UC18B	901 + 0	-	-	-	-	-	-
FC/MC/PC/UC24A	-	902 + 5	-	-	-	-	-
FC/MC/PC/UC24B	-	902 + 5	-	-	-	-	-
FC/MC/PC/UC30A	-	902 + 5	-	-	-	-	-
FC/MC/PC/UC30B	-	902 + 5	-	-	-	-	-
FC/MC/PC/UC36A	-	-	903 + 5	904 + 3	-	-	-
FC/MC/PC/UC36B	-	-	903 + 5	904 + 3	-	-	-
FC/MC/PC/UC36C	-	-	903 + 5	904 + 3	-	-	-
FC/MC/PC/UC48C	-	-	-	-	904 + 7	-	-
FC/MC/PC/UC48D	-	-	-	-	904 + 7	-	-
FC/PC/UC60C	-	-	-	-	-	905 + 12	-
FC/MC/PC/UC60D	-	-	-	-	-	905 + 12	-
MC61D	-	-	-	-	-	905 + 16	-
FC/MC62D	-	-	-	-	-	-	906 + 0
HC18A	901 + 0	-	-	-	-	-	-
HC30A	-	902 + 7	903 + 5	-	-	-	-
HC36B	-	-	-	904 + 5	-	-	-
HC42C	-	-	-	-	904 + 5	-	-
HC60D	-	-	-	-	-	905 + 10	-
HD24A	901 + 9	902 + 7	-	-	-	-	-
HD36B	-	-	903 + 9	904 + 10	-	-	-
HD48C	-	-	-	-	904 + 5	-	-
HD60D	-	-	-	-	-	905 + 10	-
AHP18B	901 + 0	-	-	-	-	-	-
AHP24B	-	902 + 6	-	-	-	-	-
AHP30B	-	-	903 + 9	-	-	-	-
AHP36C	-	-	903 + 14	904 + 13	-	-	-
AHP42C	-	-	-	904 + 13	-	-	-
AHP/SHP48D	-	-	-	-	904 + 7	905 + 8	-
AHP/SHP60D	-	-	-	-	-	905 + 8	-
AV24B	901 + 3	902 + 6	-	-	-	-	-
AV36C	-	-	903 + 14	904 + 13	-	-	-
AV/SV48D	-	-	-	904 + 20	904 + 10	905 + 8	-
F*FP024H06T2A	901 + 0	-	-	-	-	-	-
F*FP024H06T2B	901 + 0	-	-	-	-	-	-
F*FP030H06T2A	-	902 + 3	-	-	-	-	-
F*FP036H06T2A	-	-	903 + 7	904 + 5	-	-	-
F*FP042H06T2A	-	-	-	904 + 7	-	-	-

FOOTNOTES:

- 1 If indoor coil comes with a factory-installed TXV, it must be removed and replaced with the required TXV.
- 2 Systems matched with furnace or air handlers not equipped with blower-off delays may require blower Time Delay Kit 2FD06700224.
- 3 A TXV kit must be used with these coils to obtain system performance (901, 902, 903, 904, 905 indicates 1TV09 ...series).
- * Does not achieve 13 SEER with PSC furnaces. For ratings, see technical guide or visit www.aridirectory.org/ari/unitary.html.

PROCEDURES:

1. Unit factory charge listed on the unit nameplate includes refrigerant for the condenser, the smallest evaporator and 15 feet of interconnecting line tubing.
2. Verify the TXV and additional charge required for specific evaporator coil in the system using the above table.
3. Additional charge for the amount of interconnecting line tubing greater than 15 feet at the rate specified on the previous page.
4. Permanently mark the unit nameplate with the total system charge. Total System Charge = Base Charge (as shipped) + adder for evaporator + adder for line set.

COOLING CAPACITY - With Air Handler Coils

UNIT MODEL	AIR HANDLER		COIL MODEL ¹	COOLING				
	MODEL	W		RATED CFM	NET MBH		SEER	EER
					TOTAL	SENS.		
1 PH 13 SEER HP WITH MA								
YZB01811	MA08B	17	FC/MC18B	600	18.0	13.2	13.00	11.00
YZB02411	MA08B	17	FC/MC24B	800	22.8	16.7	13.00	11.00
	MA08B	17	FC/MC30B	800	22.8	16.7	13.00	11.00
YZB03011	MA12B	17	FC/MC36B	1000	29.2	21.3	13.00	11.00
YZB03611	MA12B	17	FC/MC36B	1200	34.4	25.7	13.00	11.00
YZB04211	MA16C	21	FC/MC48C	1400	41.0	31.8	13.00	11.00
	MA14D	21	FC/MC48D	1400	41.0	31.8	13.00	11.00
YZB04811	MA16C	21	FC60C	1600	46.0	34.3	13.00	11.00
	MA20D	21	FC/MC60D	1600	46.0	34.3	13.00	11.00
	MA20D	24	MC61	1600	46.5	34.9	13.00	11.00
YZB06012	MA20D	24	FC/MC62D	1800	54.0	40.0	13.00	11.00
1 PH 13 SEER HP WITH MV - VARIABLE SPEED								
YZB01811	MV12B	17	FC/MC18B	600	17.5	13.0	14.00	11.50
YZB02411	MV12B	17	FC/MC24B	800	23.4	17.1	14.00	11.50
	MV12B	17	FC/MC30B	800	23.4	17.1	14.00	11.50
YZB03011	MV12B	17	FC/MC36B	1000	29.0	21.2	14.00	12.00
	MV16C	21	FC/MC36C	1000	29.0	21.2	14.00	11.00
YZB03611	MV16C	21	FC/MC36C	1200	36.0	26.9	14.00	11.50
YZB04211	MV16C	21	FC/MC48C	1400	42.0	32.6	14.00	11.50
	MV20D	24	FC/MC48D	1400	42.0	32.6	14.00	11.50
YZB04811	MV20D	21	FC60C	1600	46.5	34.7	13.25	11.00
	MV20D	24	FC/MC60D	1600	47.0	35.0	13.50	11.00
	MV20D	24	MC61D	1600	47.5	35.4	13.50	11.00
YZB06012	MV20D	24	FC/MC62D	1800	54.0	40.5	13.50	11.00
1 PH 13 SEER HP WITH AV / SV / F*FV - VARIABLE SPEED								
YZB01811	AV/24	17	—	600	18.0	13.0	14.00	11.50
YZB02411	AV/24	17	—	800	23.4	17.1	14.00	11.50
YZB03011	AV/36	17	—	1000	30.0	21.2	14.00	11.50
YZB03611	AV/36	17	—	1200	35.8	26.9	14.00	12.00
	AV/SV48	24	—	1200	35.8	26.9	14.00	11.50
YZB04211	AV/SV48	24	—	1400	41.5	32.6	14.00	11.50
YZB04811	AV/SV48	24	—	1600	46.5	34.7	13.50	11.00
	F*FV060	24	—	1600	46.5	33.6	13.25	11.00
1 PH 13 SEER AHP WITH AHP / SHP / F*FP								
YZB01811	AHP18	17	—	600	18.0	13.2	13.00	11.00
	F*FP024	18	—	600	17.9	13.2	13.00	11.00
YZB02411	AHP24	17	—	800	22.8	16.7	13.00	11.00
	F*FP030	18	—	800	22.8	16.7	13.00	11.00
YZB03011	AHP30	17	—	1000	29.2	21.1	13.00	11.00
	AHP36	17	—	1000	29.2	21.1	13.00	11.00
	F*FP036	21	—	1000	29.4	21.2	13.00	11.00
YZB03611	AHP36	21	—	1200	34.4	25.8	13.00	11.00
	AHP42	21	—	1200	34.4	25.8	13.00	11.00
	F*FP036	21	—	1200	35.0	26.2	13.00	11.00
	F*FP042	21	—	1200	35.3	26.2	13.00	11.00
YZB04211	AHP/SHP48	24	—	1400	41.0	31.8	13.00	11.00
YZB04811	AHP/SHP48	24	—	1600	46.0	33.0	13.00	11.00
	AHP/SHP60	24	—	1600	46.0	33.0	13.25	11.00

Rated in accordance with DOE test procedures (Federal Register 12-27-79 and 3-18-88) and ARI Standards 210.

Cooling MBH based on 80°F entering air temperature, 50% RH, and rated air flow.

EER (Energy Efficiency Ratio) is the total cooling output in BTU's at 95°F outdoor ambient divided by the total electric power in watt-hours at those conditions.

SEER (Seasonal Energy Efficiency Ratio) is the total cooling output in BTU's during a normal annual usage period for cooling divided by the total electric power input in watt-hours during the same period.

¹ MC coils available with a factory installed horizontal drain pan. See price pages for specific model number.

— = Not applicable.

Go to www.ari.org/ariDirectory for the latest additional matches.

COOLING CAPACITY - Upflow, Downflow & Horizontal Furnaces and Coils

UNIT MODEL	FURNACE		COIL MODEL	RATED CFM	COOLING			
	CFM RANGE (MIN.-MAX.)	W			NET MBH		SEER ¹	EER
					TOTAL	SENS.		
YZB01811	450 750	14,17	FC/MC/PC/UC18	600	18.0	13.2	13.00	11.00
		14	HC18	600	18.0	13.2	13.00	11.00
		-	HD24	600	18.0	13.2	13.00	11.00
YZB02411	600 1000	14,17	FC/MC/PC/UC24	800	22.8	16.7	13.00	11.00
		14,17	FC/MC/PC/UC30	800	22.8	16.7	13.00	11.00
		14	HC30	800	22.8	16.7	13.00	11.00
		-	HD24	800	22.4	17.8	13.00	11.00
YZB03011	800 1200	14,17,21	FC/MC/PC/UC36	1000	29.2	21.3	13.00	11.00
		17	HC36	1000	29.6	21.0	13.00	11.00
		-	HD36	1000	29.6	21.6	13.00	11.00
YZB03611	1000 1400	14,17,21	FC/MC/PC/UC36	1200	34.4	25.7	13.00	11.00
		17	HC36	1200	35.2	25.7	13.00	11.00
		-	HD36	1200	34.8	26.1	13.00	11.00
YZB04211	1200 1600	21,24	FC/MC/PC/UC48	1400	41.0	31.8	13.00	11.00
		21	HC42	1400	40.0	30.7	13.00	11.00
		-	HD48	1400	40.0	31.2	13.00	11.00
YZB04811	1400 1800	21,24	FC/MC/PC/UC60	1600	46.0	34.3	13.00	11.00
		24	HC60	1600	46.0	33.5	13.00	11.00
		-	HD60	1600	46.0	33.2	13.00	11.00
		24	MC61	1600	46.5	34.9	13.00	11.00
YZB06012	1600 - 2000	24	FC/MC62D	1800	54.0	40.0	13.00	11.00

1 Requires a 2FD06700224 Blower Time Delay unless a standard furnace is equipped with one.

COOLING CAPACITY - With Variable Speed Furnaces

UNIT MODEL	VARIABLE SPEED FURNACE MODEL	COIL MODEL ¹	W	COOLING				
				RATED CFM	NET MBH		SEER	EER
					TOTAL	SENS.		
1 PH 13 SEER HP WITH VARIABLE SPEED FURNACES²								
YZB01811	PV8*A12	FC/MC/PC18A	14	600	18.4	12.9	14.00	11.50
	PV9*A12	FC/MC/PC18A	14	600	18.3	12.8	14.00	11.50
	P(C,V)9*B12	FC/MC/PC18B	17	600	18.3	12.8	14.00	11.50
YZB02411	PV8*A12	FC/MC/PC24A	14	750	23.0	16.1	13.50	11.00
	PV9*A12	FC/MC/PC24A	14	800	23.0	16.1	14.00	11.50
	PV8*A12	FC/MC/PC30A	14	750	23.0	16.1	13.50	11.00
	PV9*A12	FC/MC/PC30A	14	800	23.0	16.1	14.00	11.50
YZB03011	PV8*A12	FC/MC/PC36A	14	1050	30.0	21.0	13.25	11.00
	PV9*A12	FC/MC/PC36A	14	1000	29.6	20.7	13.25	11.00
	PV8*B16	FC/MC/PC36B	17	1050	30.0	21.0	13.50	11.00
	P(C,V)9*B12	FC/MC/PC36B	17	1000	29.6	20.7	13.25	11.00
	PV8*C16	FC/MC/PC36C	21	1050	30.0	21.0	13.50	11.00
	P(C,V)9*C16	FC/MC/PC36C	21	1050	30.0	21.0	13.50	11.00
YZB03611	PV8*A12	FC/MC/PC36A	14	1200	34.8	24.4	13.30	11.00
	PV9*A12	FC/MC/PC36A	14	1200	34.6	24.2	13.30	11.00
	PV8*B16	FC/MC/PC36B	17	1200	34.8	24.4	13.50	11.00
	P(C,V)9*B12	FC/MC/PC36B	17	1200	34.6	24.2	13.30	11.00
	PV8*C16	FC/MC/PC36C	21	1200	34.8	24.4	13.50	11.00
	PV8*C20	FC/MC/PC36C	21	1200	34.8	24.4	13.50	11.00
	P(C,V)9*C16	FC/MC/PC36C	21	1200	34.8	24.4	13.50	11.00
	P(C,V)9*C20	FC/MC/PC36C	21	1200	34.8	24.4	13.50	11.00
YZB04211	PV8*C16	FC/MC/PC48C	21	1400	41.0	28.7	13.25	11.00
	PV8*C20	FC/MC/PC48C	21	1400	41.0	28.7	13.50	11.00
	P(C,V)9*C16	FC/MC/PC48C	21	1400	41.0	28.7	13.50	11.00
	P(C,V)9*C20	FC/MC/PC48C	21	1400	41.0	28.7	13.25	11.00
	P(C,V)9*D20	FC/MC/PC48D	24	1400	41.0	28.7	13.50	11.00
YZB04811	P(C,V)9*D20	FC/MC/PC60D	24	1600	46.0	32.2	13.25	11.00
	P(C,V)9*D20	MC61D	24	1600	46.5	32.6	13.25	11.00
YZB06012	P(C,V)9*D20	FC/MC62D	24	1620.0	54.0	40.5	13.5	11.0

1 MC coils available with a factory installed horizontal drain pan. See price pages for specific model number.

2 Variable speed furnaces have B.O.D (Blower on Delay) standard.

HEATING PERFORMANCE - With Air Handler

UNIT MODEL*	AIR HANDLER	COIL ¹ MODEL	ARI HEATING ²						
			47°F			17°F			HSPF
			MBH	COP	KW	MBH	COP	KW	STD
1 PH 13 SEER HP WITH MA									
YZB01811	MA08B	FC/M C18B	18.0	3.28	1.61	11.6	2.32	1.46	8.00
YZB02411	MA08B	FC/MC24B	24.0	3.44	2.04	14.2	2.38	1.75	8.00
	MA08B	FC/MC30B	24.0	3.44	2.04	14.2	2.38	1.75	8.00
YZB03011	MA12B	FC/MC36B	30.0	3.44	2.56	18.3	2.28	2.35	8.00
YZB03611	MA12B	FC/MC36B	36.0	3.36	3.14	24.4	2.32	3.08	8.00
YZB04211	MA16C	FC/MC48C	42.0	3.66	3.36	28.4	2.54	3.28	8.00
	MA14D	FC/MC48D	42.0	3.66	3.36	28.4	2.54	3.28	8.00
YZB04811	MA16C	FC60C	48.0	3.50	4.10	33.2	2.30	4.23	8.00
	MA20D	FC/MC60D	48.0	3.50	4.10	33.2	2.30	4.23	8.00
	MA20D	MC61D	48.0	3.50	4.10	33.2	2.30	4.23	8.00
YZB06012	MA20D	FC/MC62D	57.0	3.54	4.77	37.0	2.44	4.49	8.55
1 PH 13 SEER HP WITH MV - VARIABLE SPEED									
YZB01811	MV12B	FC/MC18B	18.0	3.46	1.52	11.1	2.46	1.32	8.35
YZB02411	MV12B	FC/MC24B	23.4	3.44	1.99	14.2	2.38	1.75	8.30
	MV12B	FC/MC30B	23.4	3.44	1.99	14.2	2.38	1.75	8.30
YZB03011	MV12B	FC/MC36B	29.4	3.44	2.50	18.3	2.28	2.35	8.20
	MV16C	FC/MC36C	29.4	3.44	2.50	18.3	2.28	2.35	8.20
YZB03611	MV12B	FC/MC36B	36.0	3.36	3.14	24.4	2.32	3.08	8.30
YZB04211	MV16C	FC/MC48C	42.0	3.66	3.36	28.4	2.54	3.28	8.60
	MV20D	FC/MC48D	42.0	3.66	3.36	28.4	2.54	3.28	8.60
YZB04811	MV16C	FC/MC60C	48.0	3.50	4.02	33.2	2.30	4.23	8.10
	MV20D	FC/MC60D	48.0	3.50	4.02	33.2	2.30	4.23	8.10
	MV20D	MC61D	48.0	3.50	4.02	33.2	2.30	4.23	8.10
YZB06012	MV20D	FC/MC62D	56.0	3.56	4.65	37.0	2.48	4.37	8.65
1 PH 13 SEER HP WITH AV / SV / F*FV - VARIABLE SPEED									
YZB01811	AV24	—	18.0	3.42	1.54	11.2	2.24	1.46	8.25
YZB02411	AV24	—	23.2	3.68	1.85	13.5	2.28	1.73	8.25
YZB03011	AV36	—	29.2	3.66	2.34	17.6	2.20	2.34	8.15
YZB03611	AV36	—	36.0	3.36	3.14	24.4	2.32	3.08	8.30
	AV/SV48	—	36.0	3.50	3.01	23.6	2.26	3.06	8.30
YZB04211	AV/SV48	—	42.0	3.82	3.22	27.8	2.48	3.28	8.20
YZB04811	AV/SV48	—	48.0	3.60	3.91	32.6	2.26	4.23	8.10
	F*FV060	—	48.0	3.50	4.23	33.2	2.30	4.23	8.10
1 PH 13 SEER HP WITH AHP / SHP / F*FP									
YZB01811	AHP18	—	18.0	3.28	1.61	11.6	2.32	1.46	8.00
	F*FP024	—	18.0	3.30	1.77	11.5	2.32	1.45	8.05
YZB02411	AHP24	—	24.0	3.44	2.04	14.2	2.38	1.75	8.00
	F*FP030	—	23.8	3.44	2.03	14.2	2.38	1.75	8.00
YZB03011	AHP30	—	30.0	3.44	2.56	18.3	2.28	2.35	8.00
	AHP36	—	30.0	3.44	2.56	18.3	2.28	2.35	8.00
	F*FP036	—	29.6	3.44	2.52	18.3	2.28	2.35	8.00
YZB03611	AHP36	—	36.0	3.36	3.14	24.4	2.32	3.08	8.00
	AHP42	—	36.0	3.36	3.14	24.4	2.32	3.08	8.00
	F*FP036	—	36.0	3.36	3.23	24.4	2.32	3.08	8.00
	F*FP042	—	36.0	3.36	3.23	24.4	2.32	3.08	8.00
YZB04211	AHP/SHP48	—	42.0	3.66	3.36	28.4	2.54	3.28	8.00
YZB04811	AHP/SHP48	—	48.0	3.50	4.10	33.2	2.30	4.23	8.00
	AHP/SHP60	—	48.0	3.50	4.10	33.2	2.30	4.23	8.00

1 Rated CFM same as for cooling.

2 Heating MBH based on ARI standards of 70° DB entering indoor air, 72% RH outdoor air with 25 feet of interconnecting piping and no supplemental electric heat operation.

CP equals MBH output divided by (total KW input x 3.412).

HSPF (Heating Seasonal Performance Factor) is the total heating output during a normal annual usage period for heating divided by the total electric power input during the same period.

— = Not Applicable.

HEATING PERFORMANCE - Upflow Furnace Coils

UNIT MODEL*	COIL ¹ MODEL	ARI HEATING ²						
		47°F			17°F			HSPF STD
		MBH	COP	KW	MBH	COP	KW	
YZB01811	FC/MC/PC/UC18	18.0	3.28	1.61	11.6	2.32	1.46	8.00
	HC24	18.0	3.28	1.61	11.6	2.32	1.46	8.00
	HD24	18.0	3.28	1.61	11.6	2.32	1.46	8.00
YZB02411	FC/MC/PC/UC24	24.0	3.44	2.04	14.2	2.38	1.75	8.00
	FC/MC/PC/UC30	24.0	3.44	2.04	14.2	2.38	1.75	8.00
	HC30	24.0	3.44	2.04	14.2	2.38	1.75	8.00
	HD24	24.0	3.44	2.04	14.2	2.38	1.75	8.00
YZB03011	FC/MC/PC/UC36	30.0	3.44	2.56	18.3	2.28	2.35	8.00
	HC36	30.0	3.44	2.56	18.3	2.28	2.35	8.00
	HD36	30.0	3.44	2.56	18.3	2.28	2.35	8.00
YZB03611	FC/MC/PC/UC36	36.0	3.36	3.14	24.4	2.32	3.08	8.00
	HC36	36.0	3.36	3.14	24.4	2.32	3.08	8.00
	HD36	36.0	3.36	3.14	24.4	2.32	3.08	8.00
YZB04211	FC/MC/PC/UC48	42.0	3.66	3.36	28.4	2.54	3.28	8.00
	HC48	42.0	3.66	3.36	28.4	2.54	3.28	8.00
	HD48	42.0	3.66	3.36	28.4	2.54	3.28	8.00
YZB04811	FC/MC/PC/UC60	48.0	3.50	4.10	33.2	2.30	4.23	8.00
	HC60	48.0	3.50	4.10	33.2	2.30	4.23	8.00
	HD60	48.0	3.50	4.10	33.2	2.30	4.23	8.00
	MC61	48.0	3.50	4.10	33.2	2.30	4.23	8.00
YZB06012	FC/MC62D	57.0	3.54	4.77	37.0	2.44	4.49	8.55

1 Rated CFM same as for cooling.

2 Heating MBH based on ARI standards of 70° DB entering indoor air, 72% RH outdoor air with 25 feet of interconnecting piping and no supplemental electric heat operation.

CP equals MBH output divided by (total KW input x 3.412).

HSPF (Heating Seasonal Performance Factor) is the total heating output during a normal annual usage period for heating divided by the total electric power input during the same period.

— = Not Applicable.

HEATING CAPACITY - With Variable Speed Furnaces

UNIT MODEL	VARIABLE SPEED FURNACE	COIL ¹ MODEL	ARI HEATING ²						
			47°F			17°F			HSPF STD
			MBH	COP	KW	MBH	COP	KW	
1 PH 13 SEER HP WITH VARIABLE SPEED FURNACES									
YZB01811	PV8*A12	FC/MC/PC18A	18.0	3.46	1.52	11.1	2.46	1.32	8.35
	PV9*A12	FC/MC/PC18A	18.0	3.42	1.54	11.2	2.42	1.36	8.30
	P(C,V)9*B12	FC/MC/PC18B	18.0	3.46	1.52	11.1	2.46	1.32	8.35
YZB02411	PV8*A12	FC/MC/PC24A	23.4	3.44	1.99	14.2	2.38	1.75	8.00
	PV9*A12	FC/MC/PC24A	23.4	3.62	1.89	13.7	2.50	1.61	8.40
	PV8*A12	FC/MC/PC30A	23.4	3.44	1.99	14.2	2.38	1.75	8.00
	PV9*A12	FC/MC/PC30A	23.4	3.62	1.89	13.7	2.50	1.61	8.40
	PV8*A12	HC30	23.4	3.44	1.99	14.2	2.38	1.75	8.00
	PV8*A12	HD24	23.4	3.44	1.99	14.2	2.38	1.75	8.00
YZB03011	PV8*A12	FC/MC/PC36A	29.4	3.44	2.50	18.3	2.28	2.35	8.00
	PV9*A12	FC/MC/PC36A	29.4	3.60	2.39	17.7	2.38	2.18	8.10
	PV8*B16	FC/MC/PC36B	29.4	3.44	2.50	18.3	2.28	2.35	8.00
	P(C,V)9*B12	FC/MC/PC36B	29.4	3.60	2.39	17.7	2.38	2.18	8.10
	PV8*C16	FC/MC/PC36C	29.4	3.44	2.50	18.3	2.28	2.35	8.00
	P(C,V)9*C16	FC/MC/PC36C	29.4	3.44	2.50	18.3	2.28	2.35	8.00
	PV8*B16	HC36	29.4	3.44	2.50	18.3	2.28	2.35	8.00
	PV8*A12	HD36	29.4	3.44	2.50	18.3	2.28	2.35	8.00
YZB03611	PV9*A12	HD36	29.6	3.52	2.46	18.0	2.32	2.27	8.05
	PV8*A12	FC/MC/PC36A	36.0	3.36	3.14	24.4	2.32	3.08	8.00
	PV9*A12	FC/MC/PC36A	36.0	3.42	3.08	24.0	2.36	2.98	8.35
	PV8*B16	FC/MC/PC36B	36.0	3.36	3.14	24.4	2.32	3.08	8.00
	P(C,V)9*B12	FC/MC/PC36B	36.0	3.42	3.08	24.0	2.36	2.98	8.35
	PV8*C16	FC/MC/PC36C	36.0	3.36	3.14	24.4	2.32	3.08	8.00
	PV8*C20	FC/MC/PC36C	36.0	3.36	3.14	24.4	2.32	3.08	8.00
	P(C,V)9*C16	FC/MC/PC36C	36.0	3.36	3.14	24.4	2.32	3.08	8.00
	P(C,V)9*C20	FC/MC/PC36C	36.0	3.36	3.14	24.4	2.32	3.08	8.00
	PV8*B16	HC36	36.0	3.36	3.14	24.4	2.32	3.08	8.00
	P(C,V)9*B12	HC36	36.0	3.36	3.14	24.4	2.32	3.08	8.00
	PV8*B16	HD36	36.0	3.36	3.14	24.4	2.32	3.08	8.00
YZB04211	P(C,V)9*B12	HD36	36.0	3.36	3.14	24.4	2.32	3.08	8.00
	PV8*A12	FC/MC/PC48C	42.0	3.66	3.36	28.4	2.54	3.28	8.00
	PV8*C20	FC/MC/PC48C	42.0	3.66	3.36	28.4	2.54	3.28	8.00
	P(C,V)9*C16	FC/MC/PC48C	42.0	3.74	3.29	28.0	2.58	3.18	8.60
	P(C,V)9*C20	FC/MC/PC48C	42.0	3.76	3.27	28.0	2.60	3.16	8.60
	P(C,V)9*D20	FC/MC/PC48D	42.0	3.74	3.29	28.0	2.58	3.18	8.60
	PV8*C20	HC48	42.0	3.66	3.36	28.4	2.54	3.28	8.00
	P(C,V)9*C20	HC48	42.0	3.66	3.36	28.4	2.54	3.28	8.00
	PV8*C20	HD48	42.0	3.66	3.36	28.4	2.54	3.28	8.00
YZB04811	P(C,V)9*C20	HD48	42.0	3.66	3.36	28.4	2.54	3.28	8.00
	P(C,V)9*D20	FC/MC/PC60D	48.0	3.54	3.97	32.8	2.32	4.14	8.50
	PV8*C20	FC/PC60C	48.0	3.50	4.02	33.2	2.30	4.23	8.00
	P(C,V)9*C20	FC/PC60C	48.0	3.52	4.00	33.0	2.32	4.17	8.50
	PV8*C20	HC60	48.0	3.50	4.02	33.2	2.30	4.23	8.00
	P(C,V)9*D20	HC60	48.0	3.50	4.02	33.2	2.30	4.23	8.00
	PV8*C20	HD60	48.0	3.50	4.02	33.2	2.30	4.23	8.00
	P(C,V)9*D20	HD60	48.0	3.50	4.02	33.2	2.30	4.23	8.00
YZB06012	P(C,V)9*D20	MC61D	48.0	3.54	3.97	32.8	2.32	4.14	8.50
	P(C,V)9*D20	FC/MC62D	55	3.54	4.55	37	2.46	4.35	8.65

1 Rated CFM same as for cooling.

2 Heating MBH based on ARI standards of 70° DB entering indoor air, 72% RH outdoor air with 25 feet of interconnecting piping and no supplemental electric heat operation.

CP equals MBH output divided by (total KW input x 3.412).

HSPF (Heating Seasonal Performance Factor) is the total heating output during a normal annual usage period for heating divided by the total electric power input during the same period.

ACCESSORIES*

Hard Start Kit (024-31994-000, 024-31995-000) - Provides increased starting torque for areas with low voltage.

TXV Kits - 1TV09 series thermal expansion valves precisely meter refrigerant for optimum performance.

Compressor Discharge Temperature Sensor (2SN02700124) - Adds an additional safety for improved compressor reliability and diagnostics. Compatible only with 13 SEER and higher heat pumps.

Bonnet Sensor (2SB13700124) - The bonnet sensor is used to sense plenum temperature, and is optional with a gas or oil back-up heat source. Compatible only with 13 SEER and higher heat pumps.

Dehumidistat (2HU16700124) - Provides increased dehumidification when matched with variable speed furnace or air handler.

Heat Pump Risers - (526-35389-000, 526-35390-000, 526-35391-000) - 3", 6", or 12" risers mount easily in composite base pan recesses, ensuring the unit stays clear of snow and ice build-up in harsh winter weather.

Room Thermostats - A wide selection of matching thermostats is available to provide features required for any installation.

2H/1C, manual changeover electronic non-programmable thermostat.

3H/2C, non-programmable digital thermostat.

3H/2C, auto/manual changeover, electronic programmable, 7-day, thermostat.

* For the most current accessory information, refer to the price book or consult factory.

SOUND POWER RATINGS*

UNIT MODEL	(dBA)	
	Cooling	Heating
018	65	66
024	70	70
030	70	71
036	71	72
042	74	74
048	74	75
060	74	75

* Rated in accordance with ARI 270-95 Standards.

COLOR GRILLES

CHOICE OF SEVERAL COLOR COIL GRILLES TO COMPLIMENT ANY HOME.		
Color Grill	Color Description	
1CP0126	Terra Cotta	018
1CP0130	Terra Cotta	024, 030
1CP0136	Terra Cotta	036, 042, 048
1CP1136	Terra Cotta	060
1CP0226	Jet Black	018
1CP0230	Jet Black	024, 030
1CP0236	Jet Black	036, 042, 048
1CP1236	Jet Black	060
1CP0326	Stone	018
1CP0330	Stone	024, 030
1CP0336	Stone	036, 042, 048
1CP1336	Stone	060
1CP0426	Bermuda	018
1CP0430	Bermuda	024, 030
1CP0436	Bermuda	036, 042, 048
1CP1436	Bermuda	060
1CP0526	Gunmetal	018
1CP0530	Gunmetal	024, 030
1CP0536	Gunmetal	036, 042, 048
1CP1536	Gunmetal	060
1CP0626	Chocolate	018
1CP0630	Chocolate	024, 030
1CP0636	Chocolate	036, 042, 048
1CP1636	Chocolate	060

COOLING PERFORMANCE DATA																
AIR CONDITIONER MODEL NO.		YZB01811														
INDOOR COIL MODEL NO.		FC/MC/PC/UC18														
CONDENSING ENTERING AIR TEMPERATURE	IDCFM	450					600					750				
	ID DB (°F)	80	80	75	80	80	80	80	75	80	80	80	80	75	80	80
	ID WB (°F)	57	62	62	67	72	57	62	62	67	72	57	62	62	67	72
65	T.C.	14.4	17.2	16.4	18.9	21.3	16.8	19.1	18.1	20.7	22.2	19.2	20.9	19.8	22.6	23.1
	S.C.	14.5	12.8	10.6	11.1	9.0	16.9	15.4	12.7	13.1	10.1	19.4	18.1	14.9	15.1	11.2
	KW	1.1	1.1	1.1	1.1	1.1	1.1	1.1	1.1	1.1	1.1	1.1	1.1	1.1	1.1	1.1
75	T.C.	13.9	16.5	15.8	18.2	20.2	16.0	18.1	17.4	19.8	21.1	18.2	19.8	18.9	21.5	22.0
	S.C.	14.0	12.4	10.3	10.7	8.6	16.1	14.9	12.5	12.7	9.7	18.3	17.4	14.6	14.7	10.8
	KW	1.3	1.3	1.3	1.3	1.2	1.3	1.3	1.3	1.3	1.2	1.3	1.3	1.3	1.2	1.2
85	T.C.	13.3	15.7	15.3	17.4	19.0	15.2	17.2	16.7	18.9	19.9	17.1	18.6	18.1	20.4	20.8
	S.C.	13.4	12.1	10.1	10.4	8.1	15.3	14.4	12.2	12.4	9.3	17.2	16.8	14.2	14.3	10.4
	KW	1.4	1.4	1.4	1.4	1.4	1.4	1.4	1.4	1.4	1.4	1.4	1.4	1.4	1.4	1.4
95	T.C.	12.7	14.9	14.7	16.7	17.9	14.4	16.2	15.9	18.0	18.8	16.1	17.5	17.2	19.3	19.7
	S.C.	12.8	11.8	9.9	10.1	7.7	14.5	13.9	11.9	12.0	8.9	16.1	16.1	13.9	13.9	10.0
	KW	1.6	1.6	1.6	1.6	1.6	1.6	1.6	1.6	1.6	1.6	1.6	1.6	1.6	1.6	1.6
105	T.C.	12.2	14.1	13.8	15.7	16.9	13.8	15.5	14.9	16.9	17.7	15.4	16.8	16.1	18.1	18.5
	S.C.	12.3	11.5	9.6	9.7	7.3	13.9	13.5	11.4	11.5	8.4	15.4	15.5	13.3	13.4	9.5
	KW	1.9	1.9	1.8	1.9	1.8	1.9	1.9	1.8	1.8	1.8	1.9	1.8	1.8	1.8	1.8
115	T.C.	11.7	13.4	12.9	14.7	15.9	13.2	14.8	13.9	15.8	16.6	14.7	16.1	15.0	16.9	17.3
	S.C.	11.8	11.3	9.2	9.3	7.0	13.3	13.0	11.0	11.1	8.0	14.8	14.8	12.7	12.9	9.0
	KW	2.1	2.1	2.1	2.1	2.1	2.1	2.1	2.1	2.1	2.1	2.1	2.1	2.1	2.1	2.1
125	T.C.	11.2	12.7	11.9	13.8	14.8	12.6	14.1	12.9	14.7	15.5	14.1	15.5	13.9	15.7	16.1
	S.C.	11.3	11.0	8.9	8.9	6.6	12.7	12.6	10.5	10.6	7.5	14.1	14.2	12.2	12.3	8.4
	KW	2.4	2.3	2.3	2.3	2.3	2.3	2.3	2.3	2.3	2.3	2.3	2.3	2.3	2.3	2.3

NOTE: ALL CAPACITIES INCLUDE INDOOR FAN HEAT AT 1250 BTUH/1000 CFM.

Multipliers for determining the performance with other indoor sections.

NOTE: For dry bulb temperatures different than those listed (between 73-87 F), sensible capacity increases by 1060 BTUH per 1000 CFM per degree above the listed temperature and decreases by 1060 BTUH per 1000 CFM per degree below the listed temperature.

Air Handler	Coil	T.C.	S.C.	KW
MA08B	FC/MC18B	1.00	1.00	1.00
MV12B	FC/MC18B	0.97	0.98	0.96
AHP18	–	1.00	1.00	1.00
AV24	–	1.00	0.98	0.96
F*FP024	–	0.99	1.00	1.00
–	HC18	1.00	1.00	1.00
–	HD24	1.00	1.00	1.00

Variable Speed Furnace	Coil	T.C.	S.C.	KW
PV8*A12	FC/MC/PC18A	1.02	0.97	1.07
PV9*A12	FC/MC/PC18A	1.01	0.97	1.07
P(C,V)9*B12	FC/MC/PC18B	1.01	0.97	1.07

COOLING PERFORMANCE DATA																
OUTDOOR UNIT MODEL NO.		YZB02411														
INDOOR COIL MODEL NO.		AHP24														
CONDENSER ENTERING AIR TEMPERATURE	ID CFM	600					800					1000				
	ID DB (°F)	80	80	75	80	80	80	80	75	80	80	80	80	75	80	80
	ID WB (°F)	57	62	62	67	72	57	62	62	67	57	62	62	67	72	
65	T.C.	21.7	24.5	23.6	27.4	29.9	24.0	25.4	24.8	28.4	30.8	26.4	26.3	26.0	29.5	31.7
	S.C.	21.9	20.9	16.6	17.8	14.0	24.3	23.9	19.3	19.9	15.6	26.7	24.3	22.0	22.0	17.2
	K.W.	1.3	1.3	1.3	1.3	1.3	1.3	1.3	1.3	1.3	1.3	1.3	1.3	1.3	1.3	1.3
75	T.C.	20.9	23.1	22.3	25.5	28.0	23.1	24.2	23.4	26.6	28.9	25.3	25.4	24.5	27.6	29.9
	S.C.	21.1	19.9	15.9	16.6	13.3	23.4	22.8	18.3	18.9	14.8	25.6	25.7	20.8	21.2	16.4
	K.W.	1.6	1.6	1.6	1.6	1.6	1.6	1.6	1.6	1.6	1.6	1.6	1.6	1.6	1.6	1.6
85	T.C.	20.2	21.7	21.1	23.6	26.1	22.2	23.1	22.0	24.7	27.1	24.3	24.5	23.0	25.8	28.1
	S.C.	20.4	18.9	15.1	15.5	12.5	22.4	21.7	17.4	18.0	14.1	24.5	24.5	19.6	20.4	15.6
	K.W.	1.8	1.8	1.8	1.8	1.8	1.8	1.8	1.8	1.8	1.8	1.8	1.8	1.8	1.8	1.8
95	T.C.	19.5	20.2	19.8	21.7	24.1	21.4	21.9	20.6	22.8	25.2	23.2	23.6	21.4	23.9	26.3
	S.C.	19.6	17.9	14.4	14.3	11.8	21.5	20.6	16.4	17.0	13.3	23.4	23.3	18.5	19.7	14.8
	K.W.	2.0	2.0	2.1	2.0	2.0	2.0	2.0	2.1	2.0	2.0	2.0	2.0	2.1	2.0	2.0
105	T.C.	18.1	18.7	18.3	20.1	22.6	19.8	20.2	19.0	21.1	23.6	21.5	21.8	19.7	22.0	24.5
	S.C.	18.2	17.0	13.7	13.7	11.2	19.9	19.2	15.7	16.2	12.8	21.7	21.4	17.7	18.8	14.3
	K.W.	2.4	2.4	2.4	2.4	2.4	2.4	2.4	2.4	2.4	2.4	2.4	2.4	2.4	2.4	2.4
115	T.C.	16.7	17.2	16.8	18.6	21.2	18.2	18.6	17.4	19.4	21.9	19.8	20.0	18.0	20.2	22.7
	S.C.	16.8	16.1	13.0	13.0	10.7	18.4	17.8	15.0	15.4	12.2	20.0	19.5	17.0	17.9	13.8
	K.W.	2.7	2.7	2.7	2.7	2.7	2.7	2.7	2.7	2.7	2.7	2.7	2.7	2.7	2.7	2.7
125	T.C.	15.3	15.7	15.3	17.1	19.7	16.7	17.0	15.8	17.7	20.3	18.1	18.3	16.3	18.4	20.9
	S.C.	15.4	15.2	12.4	12.3	10.2	16.9	16.4	14.3	14.7	11.7	18.3	17.7	16.3	17.0	13.3
	K.W.	3.0	3.1	3.1	3.1	3.0	3.0	3.1	3.1	3.1	3.0	3.0	3.1	3.1	3.1	3.0

NOTE: ALL CAPACITIES ARE NET (KBTUH) WITH INDOOR FAN HEAT ALREADY DEDUCTED AT 1250 BTUH/1000 CFM.

Multipliers for determining the performance with other indoor sections.

NOTE: For dry bulb temperatures different than those listed (between 73-87 F), sensible capacity increases by 1060 BTUH per 1000 CFM per degree above the listed temperature and decreases by 1060 BTUH per 1000 CFM per degree below the listed temperature.

Air Handler	Coil	T.C.	S.C.	KW
MA08B	FC/MC24B	1.00	1.00	1.00
MA08B	FC/MC30B	1.00	1.00	1.00
MV12B	FC/MC24B	1.03	1.02	0.96
MV12B	FC/MC30B	1.03	1.02	0.96
AV24	-	1.03	1.02	0.96
F*FP030	-	1.00	1.00	1.00
-	FC/MC/PC/UC24	1.00	1.00	1.00
-	FC/MC/PC/UC30	1.00	1.00	1.00
-	HC30	1.00	1.00	1.00
-	HD24	0.98	1.06	1.00

Variable Speed Furnace	Coil	T.C.	S.C.	KW
PV8*A12	FC/MC/PC24A	1.00	0.96	1.03
PV9*A12	FC/MC/PC24A	1.00	0.96	1.07
PV8*A12	FC/MC/PC30A	1.00	0.96	1.03
PV9*A12	FC/MC/PC30A	1.00	0.96	1.07

COOLING PERFORMANCE DATA																
OUTDOOR UNIT MODEL NO.		YZB03011														
INDOOR COIL MODEL NO.		FC/MC/PC/UC36														
CONDENSER ENTERING AIR TEMPERATURE	ID CFM	800					1000					1200				
	ID DB (°F)	80	80	75	80	80	80	80	75	80	80	80	80	75	80	80
	ID WB (°F)	57	62	62	67	72	57	62	62	67	72	57	62	62	67	72
65	T.C.	27.1	29.1	29.2	33.5	37.3	29.0	30.7	30.7	34.8	38.8	31.0	32.2	32.2	36.1	40.2
	S.C.	26.7	23.3	20.0	20.6	16.9	28.7	26.6	22.6	23.0	18.3	30.7	29.9	25.1	25.3	19.7
	K.W.	1.9	1.9	1.9	1.9	1.9	1.9	1.9	1.9	1.9	1.9	1.9	1.9	1.9	1.9	1.9
75	T.C.	26.2	27.9	27.8	31.7	35.7	28.1	29.3	29.1	33.0	37.0	29.9	30.7	30.5	34.3	38.2
	S.C.	25.9	22.9	19.3	19.9	16.2	27.7	26.0	21.7	22.3	17.6	29.6	29.0	24.1	24.7	19.1
	K.W.	2.2	2.2	2.2	2.2	2.2	2.2	2.2	2.2	2.2	2.2	2.2	2.2	2.2	2.2	2.2
85	T.C.	25.4	26.6	26.3	29.9	34.1	27.1	27.9	27.5	31.2	35.2	28.8	29.1	28.7	32.5	36.2
	S.C.	25.1	22.6	18.5	19.1	15.6	26.8	25.3	20.8	21.7	17.0	28.4	28.1	23.2	24.2	18.4
	K.W.	2.4	2.4	2.4	2.4	2.4	2.4	2.4	2.4	2.4	2.4	2.4	2.4	2.4	2.4	2.4
95	T.C.	24.5	25.4	24.8	28.1	32.6	26.1	26.5	25.9	29.4	33.4	27.7	27.6	27.0	30.7	34.2
	S.C.	24.3	22.3	17.7	18.4	14.9	25.8	24.7	19.9	21.0	16.4	27.3	27.2	22.2	23.6	17.8
	K.W.	2.7	2.7	2.7	2.7	2.7	2.7	2.7	2.7	2.7	2.7	2.7	2.7	2.7	2.7	2.7
105	T.C.	23.1	23.7	23.4	26.3	30.3	24.5	24.8	24.3	27.4	30.4	26.0	26.0	25.2	28.4	30.4
	S.C.	22.9	21.4	17.2	17.8	14.2	24.3	23.5	19.4	20.2	16.9	25.7	25.6	21.6	22.7	19.5
	K.W.	3.1	3.1	3.1	3.0	3.0	3.1	3.1	3.1	3.0	3.0	3.1	3.0	3.1	3.0	3.0
115	T.C.	21.7	22.0	21.9	24.6	28.2	23.0	23.2	22.6	25.4	27.4	24.3	24.4	23.4	26.1	26.7
	S.C.	21.5	20.6	16.8	17.2	13.5	22.8	22.4	18.9	19.5	17.4	24.0	24.1	21.1	21.8	21.2
	K.W.	3.4	3.4	3.4	3.4	3.4	3.4	3.4	3.4	3.4	3.4	3.4	3.4	3.4	3.4	3.4
125	T.C.	20.3	20.4	20.5	22.9	26.0	21.5	21.6	21.0	23.4	24.5	22.7	22.9	21.6	23.9	23.1
	S.C.	20.1	19.8	16.4	16.5	12.9	21.3	21.2	18.4	18.8	17.9	22.4	22.7	20.5	21.0	22.9
	K.W.	3.8	3.8	3.8	3.8	3.7	3.8	3.8	3.8	3.8	3.7	3.8	3.8	3.8	3.8	3.7

NOTE: ALL CAPACITIES ARE NET (KBTUH) WITH INDOOR FAN HEAT ALREADY DEDUCTED AT 1250 BTUH/1000 CFM.

Multipliers for determining the performance with other indoor sections.

NOTE: For dry bulb temperatures different than those listed (between 73-87 F), sensible capacity increases by 1060 BTUH per 1000 CFM per degree above the listed temperature and decreases by 1060 BTUH per 1000 CFM per degree below the listed temperature.

Air Handler	Coil	T.C.	S.C.	KW
MA12B	FC/MC36B	1.00	1.00	1.00
MV12B	FC/MC36B	0.99	1.00	0.96
MV16C	FC/MC36C	0.99	1.00	0.96
AHP30	–	1.00	1.00	1.00
AHP36	–	1.00	0.99	1.00
F2FP036	–	1.01	1.00	1.00
AV36	–	1.03	1.00	0.96
–	HC36	1.01	0.99	1.00
–	HD36	1.01	1.02	1.00

Variable Speed Furnace	Coil	T.C.	S.C.	KW
PV8*A12	FC/MC/PC36A	1.02	0.98	1.01
PV9*A12	FC/MC/PC36A	1.01	0.97	1.01
PV8*B16	FC/MC/PC36B	1.02	0.98	1.03
P(C,V)9*B12	FC/MC/PC36B	1.01	0.97	1.01
PV8*C16	FC/MC/PC36C	1.02	0.98	1.03
P(C,V)9*C16	FC/MC/PC36C	1.02	0.98	1.03

COOLING PERFORMANCE DATA																
OUTDOOR UNIT MODEL NO.		YZB03611														
INDOOR COIL MODEL NO.		FC/MC/PC/UC36														
CONDENSER ENTERING AIR TEMPERATURE	ID CFM	1000					1200					1400				
	ID DB (°F)	80	80	75	80	80	80	80	75	80	80	80	80	75	80	80
	ID WB (°F)	57	62	62	67	72	57	62	62	67	72	57	62	62	67	72
65	T.C.	33.4	35.6	36.5	41.1	44.1	35.4	36.5	37.1	41.6	44.5	37.4	37.5	37.7	42.1	44.9
	S.C.	33.8	31.2	26.2	26.6	20.9	35.8	34.2	28.4	28.9	22.5	37.8	37.1	30.7	31.3	24.0
	K.W.	2.2	2.2	2.3	2.2	2.2	2.2	2.2	2.2	2.2	2.2	2.2	2.2	2.2	2.2	2.3
75	T.C.	31.9	33.9	34.4	39.0	42.1	33.7	34.9	35.0	39.4	42.4	35.5	35.9	35.5	39.8	42.7
	S.C.	32.3	30.4	25.4	25.7	20.2	34.1	33.1	27.6	28.0	21.7	35.9	35.8	29.8	30.3	23.2
	K.W.	2.5	2.5	2.5	2.5	2.6	2.5	2.5	2.5	2.5	2.6	2.5	2.5	2.5	2.6	2.6
85	T.C.	30.4	32.2	32.4	36.9	40.0	32.0	33.2	32.8	37.2	40.3	33.5	34.3	33.3	37.5	40.6
	S.C.	30.8	29.5	24.6	24.8	19.6	32.4	32.0	26.7	27.0	21.0	33.9	34.4	28.9	29.3	22.5
	K.W.	2.8	2.8	2.8	2.9	2.9	2.8	2.8	2.8	2.9	2.9	2.8	2.8	2.9	2.9	2.9
95	T.C.	29.0	30.4	30.3	34.8	38.0	30.3	31.5	30.6	35.0	38.2	31.6	32.7	31.0	35.2	38.4
	S.C.	29.3	28.7	23.8	23.9	18.9	30.7	30.8	25.9	26.1	20.3	32.0	33.0	28.0	28.3	21.7
	K.W.	3.1	3.1	3.1	3.2	3.2	3.1	3.1	3.2	3.2	3.2	3.1	3.1	3.2	3.2	3.2
105	T.C.	27.6	28.9	28.2	32.0	35.1	28.7	29.7	28.5	32.2	35.3	29.9	30.6	28.7	32.4	35.5
	S.C.	27.9	26.8	22.6	22.9	18.0	29.1	28.6	24.7	24.9	19.3	30.2	30.5	26.7	26.9	20.6
	K.W.	3.6	3.5	3.6	3.6	3.6	3.6	3.6	3.6	3.6	3.6	3.6	3.6	3.6	3.6	3.6
115	T.C.	26.3	27.3	26.2	29.4	32.4	27.2	28.0	26.3	29.5	32.5	28.2	28.7	26.5	29.7	32.6
	S.C.	26.6	24.9	21.6	21.9	17.1	27.5	26.4	23.5	23.7	18.3	28.5	27.9	25.4	25.5	19.6
	K.W.	4.0	4.0	4.0	4.1	4.1	4.0	4.0	4.0	4.1	4.1	4.0	4.0	4.0	4.1	4.1
125	T.C.	24.9	25.8	24.2	26.7	29.6	25.7	26.3	24.2	26.8	29.7	26.5	26.7	24.2	26.9	29.8
	S.C.	25.2	23.0	20.5	20.9	16.2	26.0	24.2	22.3	22.5	17.3	26.8	25.4	24.1	24.1	18.5
	K.W.	4.5	4.4	4.4	4.5	4.5	4.5	4.4	4.4	4.5	4.5	4.5	4.5	4.5	4.5	4.5

NOTE: ALL CAPACITIES ARE NET (KBTUH) WITH INDOOR FAN HEAT ALREADY DEDUCTED AT 1250 BTUH/1000 CFM.

Multipliers for determining the performance with other indoor sections

NOTE: For dry bulb temperatures different than those listed (between 73-87 F), sensible capacity increases by 1060 BTUH per 1000 CFM per degree above the listed temperature and decreases by 1060 BTUH per 1000 CFM per degree below the listed temperature.

Air Handler	Coil	T.C.	S.C.	KW
MA12B	FC/MC36B	0.98	0.98	1.00
MV16C	FC/MC36C	1.03	1.03	0.96
AHP36	–	1.00	1.00	1.00
AHP42	–	1.00	1.00	1.00
AV/SV36	–	1.02	1.03	0.96
AV/SV48	–	1.02	1.03	0.96
F2FP036	–	1.00	1.00	1.00
F2FP042	–	1.01	1.00	1.00
–	HC36	1.01	0.98	1.00
–	HD36	0.99	1.00	1.00

Variable Speed Furnace	Coil	T.C.	S.C.	KW
PV8*A12	FC/MC/PC36A	0.99	0.92	1.02
PV9*A12	FC/MC/PC36A	0.98	0.92	1.02
PV8*B16	FC/MC/PC36B	0.99	0.92	1.03
P(C,V)9*B12	FC/MC/PC36B	0.98	0.92	1.02
PV8*C16	FC/MC/PC36C	0.99	0.92	1.03
PV8*C20	FC/MC/PC36C	0.99	0.92	1.03
P(C,V)9*C16	FC/MC/PC36C	0.99	0.92	1.03
P(C,V)9*C20	FC/MC/PC36C	0.99	0.92	1.03

COOLING PERFORMANCE DATA																
OUTDOOR UNIT MODEL NO.		YZB04211														
INDOOR COIL MODEL NO.		FC/MC/PC/UC48														
CONDENSER ENTERING AIR TEMPERATURE	ID CFM	1200					1400					1600				
	ID DB (°F)	80	80	75	80	80	80	80	75	80	80	80	80	75	80	80
	ID WB (°F)	57	62	62	67	72	57	62	62	67	72	57	62	62	67	72
65	T.C.	41.7	43.4	41.3	47.3	50.7	44.2	44.8	42.6	48.5	50.4	46.8	46.3	44.0	49.8	50.1
	S.C.	38.3	36.4	31.1	30.9	24.9	40.5	40.1	33.1	33.6	26.0	42.8	43.8	35.0	36.3	27.0
	K.W.	2.6	2.6	2.6	2.6	2.6	2.6	2.6	2.6	2.6	2.6	2.6	2.6	2.6	2.6	2.6
75	T.C.	40.0	41.2	39.4	44.8	47.5	42.3	42.8	40.5	46.0	47.5	44.7	44.4	41.7	47.2	47.4
	S.C.	36.7	35.5	29.9	29.9	23.4	38.8	38.5	31.9	32.5	24.6	40.8	41.6	34.0	35.0	25.9
	K.W.	2.9	2.9	2.9	2.9	2.9	2.9	2.9	2.9	2.9	2.9	2.9	2.9	2.9	2.9	3.0
85	T.C.	38.3	39.1	37.5	42.4	44.4	40.4	40.8	38.4	43.5	44.6	42.5	42.6	39.3	44.6	44.8
	S.C.	35.2	34.5	28.6	29.0	21.9	37.0	37.0	30.8	31.4	23.3	38.8	39.5	33.0	33.8	24.7
	K.W.	3.3	3.3	3.3	3.3	3.3	3.3	3.3	3.3	3.3	3.3	3.3	3.3	3.3	3.3	3.3
95	T.C.	36.7	36.9	35.6	40.0	41.3	38.5	38.9	36.3	41.0	41.7	40.4	40.8	37.0	42.0	42.1
	S.C.	33.6	33.5	27.3	28.0	20.4	35.2	35.4	29.7	30.3	21.9	36.8	37.3	32.0	32.6	23.5
	K.W.	3.6	3.6	3.6	3.6	3.7	3.7	3.6	3.6	3.6	3.7	3.7	3.6	3.6	3.6	3.7
105	T.C.	35.5	34.9	33.2	37.5	38.9	36.3	36.6	33.8	38.4	39.3	37.1	38.4	34.5	39.3	39.7
	S.C.	32.5	31.7	26.3	27.1	19.9	33.2	33.4	28.3	29.4	21.5	33.9	35.1	30.4	31.6	23.0
	K.W.	4.2	4.1	4.1	4.1	4.2	4.2	4.2	4.2	4.2	4.2	4.2	4.2	4.2	4.2	4.2
115	T.C.	34.4	33.0	30.9	35.0	36.5	34.2	34.5	31.4	35.8	36.9	34.0	36.0	32.0	36.7	37.3
	S.C.	31.5	30.0	25.2	26.2	19.4	31.2	31.5	27.0	28.4	21.0	31.0	33.0	28.8	30.7	22.6
	K.W.	4.7	4.6	4.6	4.6	4.7	4.6	4.6	4.6	4.7	4.7	4.6	4.7	4.6	4.7	4.7
125	T.C.	33.3	31.0	28.6	32.6	34.1	32.1	32.3	29.1	33.3	34.5	30.8	33.6	29.5	34.0	34.9
	S.C.	30.4	28.3	24.2	25.2	19.0	29.3	29.5	25.8	27.5	20.5	28.1	30.8	27.3	29.8	22.1
	K.W.	5.1	5.1	5.1	5.1	5.2	5.1	5.1	5.1	5.1	5.2	5.1	5.2	5.1	5.2	5.2

NOTE: ALL CAPACITIES ARE NET (KBTUH) WITH INDOOR FAN HEAT ALREADY DEDUCTED AT 1250 BTUH/1000 CFM.

Multipliers for determining the performance with other indoor sections.

NOTE: For dry bulb temperatures different than those listed (between 73-87 F), sensible capacity increases by 1060 BTUH per 1000 CFM per degree above the listed temperature and decreases by 1060 BTUH per 1000 CFM per degree below the listed temperature.

Air Handler	Coil	T.C.	S.C.	KW
MA16C	FC/MC48C	1.00	1.00	1.00
MA14D	FC/MC48D	1.00	1.00	1.00
MA16C	FC60C	1.00	1.00	1.00
MV16C	FC/MC48C	1.02	1.02	0.96
MV20D	FC/MC48D	1.02	1.02	0.96
AHP/SHP48	–	1.00	1.00	1.00
AV/SV48	–	1.01	1.02	0.96
–	HC42	0.98	0.96	1.00
–	HD48	0.98	0.98	1.00

Variable Speed Furnace	Coil	T.C.	S.C.	KW
PV8*C16	FC/MC/PC48C	1.00	0.90	1.01
PV8*C20	FC/MC/PC48C	1.00	0.90	1.03
P(C,V)9*C16	FC/MC/PC48C	1.00	0.90	1.03
P(C,V)9*C20	FC/MC/PC48C	1.00	0.90	1.01
P(C,V)9*D20	FC/MC/PC48D	1.00	0.90	1.03

COOLING PERFORMANCE DATA																
OUTDOOR UNIT MODEL NO.		YZB04811														
INDOOR COIL MODEL NO.		FC/MC/PC/UC60														
CONDENSER ENTERING AIR TEMPERATURE	ID CFM	1400					1600					1800				
	ID DB (°F)	80	80	75	80	80	80	80	75	80	80	80	80	75	80	80
	ID WB (°F)	57	62	62	67	72	57	62	62	67	72	57	62	62	67	72
65	T.C.	49.5	49.2	48.3	52.5	56.2	51.1	49.8	48.8	53.3	56.5	52.7	50.5	49.3	54.0	56.9
	S.C.	45.3	42.7	35.3	35.1	27.3	46.5	44.4	37.6	37.4	28.8	47.7	46.1	39.9	39.8	30.2
	K.W.	2.8	2.8	2.8	2.8	2.8	2.8	2.8	2.8	2.8	2.8	2.8	2.8	2.8	2.8	2.8
75	T.C.	46.0	46.5	45.6	50.2	53.6	47.7	47.4	46.2	50.8	53.9	49.3	48.2	46.9	51.5	54.2
	S.C.	43.1	41.0	34.1	34.2	26.5	44.4	43.0	36.4	36.5	27.9	45.8	45.1	38.8	38.8	29.3
	K.W.	3.2	3.2	3.2	3.2	3.2	3.2	3.2	3.2	3.2	3.2	3.2	3.2	3.2	3.2	3.3
85	T.C.	42.6	43.9	42.8	47.9	51.1	44.2	45.0	43.6	48.4	51.2	45.9	46.0	44.4	49.0	51.4
	S.C.	40.9	39.2	32.8	33.4	25.7	42.4	41.6	35.3	35.6	27.1	43.9	44.0	37.7	37.9	28.4
	K.W.	3.6	3.6	3.6	3.6	3.6	3.6	3.6	3.6	3.6	3.6	3.6	3.6	3.6	3.6	3.7
95	T.C.	39.1	41.2	40.1	45.6	48.5	40.8	42.5	41.0	46.0	48.6	42.4	43.8	42.0	46.4	48.7
	S.C.	38.8	37.5	31.5	32.5	25.0	40.4	40.2	34.1	34.7	26.3	42.0	42.9	36.6	36.9	27.6
	K.W.	4.0	4.0	4.0	4.0	4.0	4.0	4.0	4.0	4.0	4.0	4.0	4.0	4.0	4.0	4.1
105	T.C.	36.8	38.7	37.4	42.1	44.9	38.3	40.0	38.2	42.5	44.9	39.8	41.2	38.9	42.9	44.8
	S.C.	36.4	35.9	30.3	31.2	23.8	37.9	38.1	32.5	33.3	25.1	39.3	40.3	34.6	35.5	26.5
	K.W.	4.6	4.6	4.5	4.6	4.6	4.6	4.6	4.5	4.6	4.6	4.6	4.6	4.6	4.6	4.6
115	T.C.	34.5	36.3	34.8	38.8	41.4	35.9	37.5	35.4	39.2	41.2	37.2	38.6	35.9	39.6	41.1
	S.C.	34.2	34.3	29.2	29.9	22.7	35.5	36.0	30.9	32.0	24.0	36.8	37.7	32.6	34.1	25.4
	K.W.	5.1	5.1	5.1	5.1	5.1	5.1	5.1	5.1	5.1	5.1	5.1	5.1	5.1	5.1	5.1
125	T.C.	32.3	33.9	32.2	35.5	37.9	33.5	35.0	32.6	35.8	37.6	34.6	36.1	32.9	36.2	37.3
	S.C.	31.9	32.7	28.0	28.6	21.5	33.1	33.9	29.3	30.6	22.9	34.3	35.2	30.6	32.7	24.3
	K.W.	5.7	5.6	5.6	5.6	5.6	5.7	5.6	5.6	5.6	5.7	5.7	5.6	5.6	5.6	5.7

NOTE: ALL CAPACITIES ARE NET (KBTUH) WITH INDOOR FAN HEAT ALREADY DEDUCTED AT 1250 BTUH/1000 CFM.

Multipliers for determining the performance with other indoor sections.

NOTE: For dry bulb temperatures different than those listed (between 73-87 F), sensible capacity increases by 1060 BTUH per 1000 CFM per degree above the listed temperature and decreases by 1060 BTUH per 1000 CFM per degree below the listed temperature.

Air Handler	Coil	T.C.	S.C.	KW
MA20D	FC/MC60D	1.00	1.00	1.00
MA20D	MC61	1.01	1.02	1.00
MV20D	FC/MC60D	1.02	1.02	1.00
MV20D	FC60C	1.01	1.01	1.00
MV20D	MC61D	1.03	1.03	1.00
AHP/SHP48	–	1.00	0.96	1.00
AHP/SHP60	–	1.00	0.96	1.00
AV/SV48	–	1.01	1.01	1.00
F*FV060	–	1.01	0.98	1.00
–	HC60	1.00	0.98	1.00
–	HD60	1.00	0.97	1.00
–	MC61	1.01	1.02	1.00

Variable Speed Furnace	Coil	T.C.	S.C.	KW
P(C,V)9*D20	FC/MC/PC60D	1.00	0.93	1.01
P(C,V)9*D20	MC61D	1.01	0.94	1.01

COOLING PERFORMANCE DATA																
OUTDOOR UNIT MODEL NO.		YZB06012														
INDOOR COIL MODEL NO.		FC/MC62D														
CONDENSER ENTERING AIR TEMPERATURE	ID CFM	1650					1900					2150				
	ID DB (°F)	80	80	75	80	80	80	80	75	80	80	80	80	75	80	80
	ID WB (°F)	57	62	62	67	72	57	62	62	67	57	57	62	62	67	72
65	T.C.	54.0	56.6	57.2	62.9	69.4	55.2	57.9	58.6	63.7	70.3	56.3	59.3	59.9	64.5	71.3
	S.C.	54.0	56.6	57.2	62.9	69.4	55.2	57.9	58.6	63.7	70.3	56.3	59.3	59.9	64.5	71.3
	K.W.	3.4	3.5	3.5	3.5	3.5	3.5	3.5	3.5	3.5	3.6	3.6	3.6	3.6	3.6	3.6
75	T.C.	52.4	54.5	54.8	60.2	66.5	53.7	55.7	56.0	61.1	67.3	55.0	56.9	57.3	61.9	68.2
	S.C.	52.4	54.5	54.8	60.2	66.5	53.7	55.7	56.0	61.1	67.3	55.0	56.9	57.3	61.9	68.2
	K.W.	3.9	3.9	3.9	3.9	3.9	3.9	4.0	4.0	4.0	4.0	4.0	4.0	4.0	4.1	4.1
85	T.C.	50.7	52.5	52.4	57.5	63.5	52.2	53.5	53.5	58.4	64.3	53.6	54.6	54.6	59.4	65.1
	S.C.	50.7	52.5	52.4	57.5	63.5	52.2	53.5	53.5	58.4	64.3	53.6	54.6	54.6	59.4	65.1
	K.W.	4.3	4.3	4.3	4.3	4.3	4.4	4.4	4.4	4.4	4.4	4.5	4.5	4.5	4.5	4.5
95	T.C.	49.1	50.5	49.9	54.8	60.6	50.7	51.3	50.9	55.8	61.3	52.3	52.2	51.9	56.8	62.0
	S.C.	49.1	50.5	49.9	54.8	60.6	50.7	51.3	50.9	55.8	61.3	52.3	52.2	51.9	56.8	62.0
	K.W.	4.7	4.7	4.7	4.7	4.8	4.8	4.8	4.8	4.8	4.8	4.9	4.9	4.9	4.9	4.9
105	T.C.	46.5	47.0	47.0	51.2	56.7	47.8	48.0	47.8	52.0	57.4	49.2	49.0	48.5	52.9	58.0
	S.C.	46.5	47.0	47.0	51.2	56.7	47.8	48.0	47.8	52.0	57.4	49.2	49.0	48.5	52.9	58.0
	K.W.	5.2	5.3	5.2	5.3	5.3	5.3	5.3	5.3	5.4	5.4	5.4	5.4	5.4	5.5	5.5
115	T.C.	44.0	43.6	44.2	47.6	52.9	45.1	44.7	44.7	48.4	53.5	46.1	45.8	45.2	49.2	54.2
	S.C.	44.0	43.6	44.2	47.6	52.9	45.1	44.7	44.7	48.4	53.5	46.1	45.8	45.2	49.2	54.2
	K.W.	5.8	5.8	5.8	5.8	5.9	5.9	5.9	5.9	5.9	5.9	6.0	5.9	6.0	6.0	6.0
125	T.C.	41.4	40.3	41.4	44.1	49.1	42.3	41.4	41.6	44.7	49.7	43.1	42.6	41.9	45.4	50.3
	S.C.	41.4	40.3	41.4	44.1	49.1	42.3	41.4	41.6	44.7	49.7	43.1	42.6	41.9	45.4	50.3
	K.W.	6.3	6.4	6.3	6.4	6.4	6.4	6.4	6.4	6.4	6.4	6.5	6.5	6.5	6.5	6.5

NOTE: ALL CAPACITIES ARE NET (KBTUH) WITH INDOOR FAN HEAT ALREADY DEDUCTED AT 1250 BTUH/1000 CFM.

Multipliers for determining the performance with other indoor sections.

NOTE: For dry bulb temperatures different than those listed (between 73-87 F), sensible capacity increases by 1060 BTUH per 1000 CFM per degree above the listed temperature and decreases by 1060 BTUH per 1000 CFM per degree below the listed temperature.

Air Handler	Coil	T.C.	S.C.	KW
MV20D	FC/MC62D	1.00	1.01	1.00
MA20D	FC/MC62D	1.00	1.00	1.00

Variable Speed Furnace	Coil	T.C.	S.C.	KW
P(C,V)9"D20	FC/MC62D	1.00	1.01	1.00

HEATING PERFORMANCE DATA										
OUTDOOR UNIT MODEL NO.		YZB01811								
INDOOR COIL MODEL NO.		FC/MC/PC/UC18								
AIR TEMP. ENTERING OUTDOOR UNIT	AIR TEMP. ENTERING INDOOR COIL	ID CFM								
		450			600			750		
		MBTUH	KW	C.O.P.	MBTUH	KW	C.O.P.	MBTUH	KW	C.O.P.
60	60	22.9	1.8	3.7	23.7	1.6	4.3	24.4	1.4	5.0
	70	21.5	2.0	3.1	22.3	1.8	3.6	23.1	1.6	4.2
	80	20.2	2.2	2.6	21.0	2.0	3.0	21.8	1.8	3.6
47	60	20.9	1.8	3.4	21.5	1.6	3.9	22.2	1.4	4.6
	70	19.4	2.0	2.9	20.0	1.8	3.3	20.6	1.6	3.7
	80	17.9	2.1	2.5	18.5	2.0	2.7	19.0	1.8	3.1
40	60	18.7	1.6	3.3	19.4	1.5	3.7	20.1	1.4	4.2
	70	17.0	1.8	2.8	17.8	1.7	3.1	18.7	1.6	3.5
	80	15.3	1.9	2.4	16.3	1.8	2.6	17.2	1.7	2.9
30	60	15.8	1.4	3.4	16.7	1.3	3.7	17.6	1.3	4.1
	70	14.1	1.5	2.7	14.8	1.4	3.0	15.6	1.4	3.3
	80	12.3	1.7	2.2	13.0	1.6	2.4	13.6	1.5	2.7
17	60	12.5	1.4	2.6	13.3	1.3	2.9	14.1	1.3	3.2
	70	10.7	1.5	2.1	11.6	1.5	2.3	12.5	1.4	2.6
	80	9.0	1.6	1.6	9.9	1.6	1.8	10.8	1.5	2.1
10	60	11.5	1.4	2.4	12.0	1.4	2.6	12.5	1.3	2.8
	70	10.0	1.5	1.9	10.5	1.5	2.1	10.9	1.4	2.2
	80	8.6	1.7	1.5	8.9	1.6	1.6	9.2	1.6	1.7

NOTE: ALL CAPACITIES INCLUDE INDOOR FAN HEAT AT 1250 BTUH/1000 CFM.

Multipliers for determining the performance with other indoor sections.

Air Handler	Coil	MBH	KW	COP
MA08B	FC/MC18B	1.00	0.90	1.00
MV12B	FC/MC18B	1.00	0.85	1.05
AHP18	–	1.00	0.90	1.00
AV24	–	1.00	0.86	1.04
F*FP024	–	1.00	0.99	1.01
–	HC24	1.00	0.89	1.00
–	HD24	1.00	0.89	1.00

Variable Speed Furnace	Coil	MBH	KW	COP
PV8*A12	FC/MC/PC18A	1.00	0.85	1.05
PV9*A12	FC/MC/PC18A	1.00	0.86	1.04
P(C,V)9*B12	FC/MC/PC18B	1.00	0.85	1.05

HEATING PERFORMANCE DATA										
OUTDOOR UNIT MODEL NO.		YZB02411								
INDOOR COIL MODEL NO.		AHP24								
AIR TEMP. ENTERING OUTDOOR UNIT	AIR TEMP. ENTERING INDOOR COIL	ID CFM								
		600			800			1000		
		MBTUH	KW	C.O.P.	MBTUH	KW	C.O.P.	MBTUH	KW	C.O.P.
60	60	29.0	2.2	3.8	30.7	2.0	4.5	32.5	1.8	5.4
	70	28.2	2.6	3.2	29.7	2.3	3.8	31.2	2.0	4.5
	80	27.5	2.9	2.8	28.7	2.6	3.2	29.8	2.3	3.8
47	60	24.0	2.0	3.5	24.6	1.8	3.9	25.3	1.7	4.4
	70	23.1	2.2	3.1	24.0	2.0	3.4	24.9	1.9	3.9
	80	22.1	2.4	2.7	23.4	2.2	3.0	24.6	2.1	3.5
40	60	21.3	1.9	3.3	21.9	1.7	3.7	22.5	1.6	4.2
	70	20.6	2.1	2.9	21.3	1.9	3.2	22.0	1.8	3.6
	80	20.0	2.3	2.5	20.8	2.2	2.8	21.6	2.0	3.1
30	60	17.1	1.9	2.7	18.0	1.7	3.1	19.0	1.6	3.6
	70	16.6	1.9	2.6	17.4	1.8	2.9	18.2	1.6	3.3
	80	16.1	2.0	2.4	16.7	1.8	2.7	17.3	1.7	3.0
17	60	14.1	1.7	2.4	14.5	1.6	2.7	14.9	1.4	3.0
	70	13.8	1.9	2.2	14.2	1.7	2.4	14.6	1.6	2.6
	80	13.4	2.0	1.9	13.9	1.9	2.1	14.4	1.8	2.3
10	60	12.6	1.6	2.3	12.8	1.5	2.5	13.1	1.4	2.8
	70	12.1	1.9	1.9	12.5	1.7	2.1	12.9	1.6	2.3
	80	11.7	2.1	1.6	12.2	2.0	1.8	12.7	1.8	2.0

NOTE: ALL CAPACITIES INCLUDE INDOOR FAN HEAT AT 1250 BTUH/1000 CFM.

Multipliers for determining the performance with other indoor sections.

Air Handler	Coil	MBH	KW	COP
MA08B	FC/MC24B	1.00	1.00	1.00
MA08B	FC/MC30B	1.00	1.00	1.00
MV12B	FC/MC24B	0.98	0.98	1.00
MV12B	FC/MC30B	0.98	0.98	1.00
AV24	–	0.97	0.90	1.07
F*FP30	–	0.99	0.99	1.00
–	FC/MC/PC/UC24	1.00	1.00	1.00
–	FC/MC/PC/UC30	1.00	1.00	1.00
–	HC30	1.00	1.00	1.00
–	HD24	1.00	1.00	1.00

Variable Speed Furnace	Coil	MBH	KW	COP
PV8*A12	FC/MC/PC24A	0.97	0.97	1.00
PV8*A12	FC/MC/PC30A	0.97	0.97	1.00
PV8*A12	HC30	0.97	0.97	1.00
PV8*A12	HD24	0.97	0.97	1.00
PV9*A12	FC/MC/PC24A	0.97	0.92	1.05
PV9*A12	FC/MC/PC30A	0.97	0.92	1.05

HEATING PERFORMANCE DATA										
OUTDOOR UNIT MODEL NO.		YZB03011								
INDOOR COIL MODEL NO.		FC/MC/PC/UC36								
AIR TEMP. ENTERING OUTDOOR UNIT	AIR TEMP. ENTERING INDOOR COIL	ID CFM								
		800			1000			1200		
		MBTUH	KW	C.O.P.	MBTUH	KW	C.O.P.	MBTUH	KW	C.O.P.
60	60	34.3	2.5	4.0	35.3	2.4	4.4	36.3	2.2	4.8
	70	33.3	2.8	3.5	34.3	2.6	3.8	35.3	2.5	4.2
	80	32.3	3.1	3.1	33.3	2.9	3.4	34.3	2.7	3.7
47	60	29.8	2.4	3.6	30.7	2.3	3.9	31.5	2.2	4.3
	70	29.3	2.7	3.2	30.0	2.6	3.4	30.7	2.4	3.7
	80	28.8	3.0	2.8	29.3	2.8	3.1	29.9	2.6	3.3
40	60	27.7	2.4	3.4	28.6	2.3	3.7	29.5	2.2	4.0
	70	27.1	2.7	3.0	27.9	2.6	3.2	28.7	2.4	3.5
	80	26.6	3.0	2.6	27.2	2.8	2.8	27.8	2.7	3.1
30	60	22.3	2.2	2.9	23.7	2.2	3.2	25.1	2.1	3.5
	70	22.0	2.5	2.6	23.3	2.4	2.9	24.6	2.3	3.1
	80	21.7	2.7	2.4	22.9	2.6	2.6	24.1	2.6	2.8
17	60	17.2	2.2	2.3	18.2	2.1	2.5	19.2	2.1	2.7
	70	17.4	2.4	2.1	18.3	2.4	2.3	19.2	2.3	2.4
	80	17.6	2.7	1.9	18.4	2.6	2.1	19.1	2.5	2.2
10	60	16.4	2.1	2.3	17.2	2.1	2.4	18.0	2.1	2.5
	70	15.9	2.4	2.0	16.7	2.3	2.1	17.5	2.3	2.3
	80	15.4	2.6	1.7	16.2	2.6	1.9	17.0	2.5	2.0

NOTE: ALL CAPACITIES INCLUDE INDOOR FAN HEAT AT 1250 BTUH/1000 CFM.

Multipliers for determining the performance with other indoor sections.

Air Handler	Coil	MBH	KW	COP
MA12B	FC/MC36B	1.00	1.00	1.00
MV12B	FC/MC36B	0.98	0.98	1.00
MV16C	FC/MC36C	0.98	0.98	1.00
AHP30	–	1.00	1.00	1.00
AHP36	–	1.00	1.00	1.00
AV36	–	0.97	0.91	1.06
F*FP036	–	0.99	0.99	1.00
–	HC36	1.00	1.00	1.00
–	HD36	1.00	1.00	1.00

Variable Speed Furnace	Coil	MBH	KW	COP
PV8*A12	FC/MC/PC36A	0.98	0.98	1.00
PV8*A12	HD36	0.98	0.98	1.00
PV8*B16	FC/MC/PC36B	0.98	0.98	1.00
PV8*B16	HC36	0.98	0.98	1.00
PV8*C16	FC/MC/PC36C	0.98	0.98	1.00
PV9*A12	FC/MC/PC36A	0.98	0.93	1.04
PV9*A12	HD36	0.98	0.96	1.02
P(C,V)9*B12	FC/MC/PC36B	0.98	0.93	1.04
P(C,V)9*C16	FC/MC/PC36C	0.98	0.98	1.00

HEATING PERFORMANCE DATA										
OUTDOOR UNIT MODEL NO.		YZB03611								
INDOOR COIL MODEL NO.		FC/MC/PC/UC36								
AIR TEMP. ENTERING OUTDOOR UNIT	AIR TEMP. ENTERING INDOOR COIL	ID CFM								
		1000			1200			1400		
		MBTUH	KW	C.O.P.	MBTUH	KW	C.O.P.	MBTUH	KW	C.O.P.
60	60	44.8	3.2	4.1	45.7	3.1	4.4	46.5	2.9	4.7
	70	42.6	3.5	3.6	43.6	3.3	3.8	44.5	3.2	4.1
	80	40.5	3.8	3.2	41.5	3.6	3.4	42.6	3.5	3.6
47	60	38.8	3.1	3.6	38.6	3.0	3.8	38.4	2.8	4.1
	70	36.6	3.4	3.2	37.0	3.2	3.4	37.4	3.1	3.6
	80	34.3	3.7	2.8	35.4	3.5	3.0	36.5	3.4	3.2
40	60	35.0	3.1	3.3	35.4	3.0	3.5	35.9	2.8	3.7
	70	33.4	3.4	2.9	33.9	3.3	3.0	34.4	3.1	3.2
	80	31.8	3.7	2.5	32.4	3.6	2.7	33.0	3.4	2.8
30	60	31.7	3.0	3.1	31.7	2.9	3.2	31.7	2.8	3.3
	70	29.9	3.3	2.7	30.1	3.2	2.8	30.3	3.1	2.9
	80	28.0	3.6	2.3	28.5	3.4	2.4	28.9	3.3	2.5
17	60	25.3	2.9	2.5	25.8	2.8	2.7	26.4	2.7	2.8
	70	23.8	3.1	2.2	24.4	3.1	2.3	25.0	3.0	2.4
	80	22.4	3.3	2.0	23.0	3.3	2.0	23.5	3.3	2.1
10	60	18.2	2.8	1.9	19.7	2.7	2.1	21.3	2.6	2.4
	70	19.2	3.1	1.8	19.4	3.0	1.9	19.7	2.9	2.0
	80	20.1	3.4	1.7	19.1	3.3	1.7	18.1	3.2	1.7

NOTE: ALL CAPACITIES INCLUDE INDOOR FAN HEAT AT 1250 BTUH/1000 CFM.

Multipliers for determining the performance with other indoor sections.

Air Handler	Coil	MBH	KW	COP
MA12B	FC/MC36B	1.00	0.97	1.00
MV12B	FC/MC36B	1.00	0.97	1.00
AHP36	–	1.00	1.00	1.00
AHP42	–	1.00	0.97	1.00
AV/SV36	–	1.00	1.00	1.00
AV/SV48	–	1.00	0.93	1.04
F*FP036	–	1.00	1.00	1.00
F*FP042	–	1.00	1.00	1.00
–	HC36	1.00	0.97	1.00
–	HD36	1.00	0.97	1.00

Variable Speed Furnace	Coil	MBH	KW	COP
PV8*A12	FC/MC/PC36A	1.00	0.97	1.00
PV8*B16	FC/MC/PC36B	1.00	0.97	1.00
PV8*B16	HC36	1.00	0.97	1.00
PV8*B16	HD36	1.00	0.97	1.00
PV8*C16	FC/MC/PC36C	1.00	0.97	1.00
PV8*C20	FC/MC/PC36C	1.00	0.97	1.00
PV9*A12	FC/MC/PC36A	1.00	0.95	1.01
P(C,V)9*B12	FC/MC/PC36B	1.00	0.95	1.01
P(C,V)9*B12	HC36	1.00	0.97	1.00
P(C,V)9*B12	HD36	1.00	0.97	1.00
P(C,V)9*C16	FC/MC/PC36C	1.00	0.97	1.00
P(C,V)9*C20	FC/MC/PC36C	1.00	0.97	1.00

HEATING PERFORMANCE DATA										
OUTDOOR UNIT MODEL NO.		YZB04211								
INDOOR COIL MODEL NO.		FC/MC/PC/UC48								
AIR TEMP. ENTERING OUTDOOR UNIT	AIR TEMP. ENTERING INDOOR COIL	ID CFM								
		1200			1400			1600		
		MBTUH	KW	C.O.P.	MBTUH	KW	C.O.P.	MBTUH	KW	C.O.P.
60	60	47.3	2.2	6.3	48.3	2.1	6.7	49.3	2.0	7.2
	70	46.4	2.4	5.6	47.5	2.3	6.0	48.6	2.2	6.4
	80	45.6	2.6	5.0	46.7	2.6	5.4	47.9	2.5	5.7
47	60	44.3	3.9	3.3	45.7	4.0	3.3	47.1	4.1	3.3
	70	42.0	3.4	3.6	43.0	3.4	3.7	44.0	3.5	3.7
	80	39.8	3.0	3.9	40.3	2.9	4.1	40.8	2.8	4.3
40	60	39.9	2.6	4.5	41.6	2.5	4.9	43.3	2.4	5.2
	70	38.3	2.9	3.9	39.8	2.8	4.2	41.3	2.7	4.5
	80	36.8	3.1	3.4	38.0	3.0	3.7	39.3	3.0	3.9
30	60	33.5	2.8	3.5	34.3	2.7	3.7	35.2	2.6	3.9
	70	32.0	3.0	3.1	33.2	3.0	3.3	34.4	2.9	3.5
	80	30.6	3.3	2.7	32.1	3.3	2.9	33.7	3.2	3.1
17	60	29.1	3.0	2.8	29.5	3.0	2.9	29.8	2.9	3.0
	70	28.3	3.4	2.5	28.4	3.3	2.5	28.5	3.2	2.6
	80	27.4	3.7	2.2	27.3	3.6	2.2	27.2	3.5	2.3
10	60	24.1	3.2	2.2	24.9	3.1	2.3	25.8	3.1	2.5
	70	22.6	3.5	1.9	23.1	3.4	2.0	23.6	3.4	2.1
	80	21.2	3.8	1.6	21.3	3.8	1.7	21.3	3.7	1.7

NOTE: ALL CAPACITIES INCLUDE INDOOR FAN HEAT AT 1250 BTUH/1000 CFM.

Multipliers for determining the performance with other indoor sections.

Air Handler	Coil	MBH	KW	COP
MA14D	FC/MC48D	1.00	0.98	1.00
MA16C	FC/MC48C	1.00	0.98	1.00
MV16C	FC/MC48C	1.00	0.98	1.00
MV20D	FC/MC48D	1.00	0.98	1.00
AHP/SHP48	–	1.00	0.98	1.00
AV/SV48	–	1.00	0.94	1.04
–	HC48	1.00	0.97	1.00
–	HD48	1.00	0.97	1.00

Variable Speed Furnace	Coil	MBH	KW	COP
PV8*C16	FC/MC/PC48C	1.00	0.97	1.00
PV8*C20	FC/MC/PC48C	1.00	0.97	1.00
PV8*C20	HC48	1.00	0.97	1.00
PV8*C20	HD48	1.00	0.97	1.00
P(C,V)9*C16	FC/MC/PC48C	1.00	0.95	1.02
P(C,V)9*C20	FC/MC/PC48C	1.00	0.95	1.02
P(C,V)9*C20	HC48	1.00	0.97	1.00
P(C,V)9*C20	HD48	1.00	0.97	1.00
P(C,V)9*D20	FC/MC/PC48D	1.00	0.95	1.02

HEATING PERFORMANCE DATA										
OUTDOOR UNIT MODEL NO.		YZB04811								
INDOOR COIL MODEL NO.		FC/MC/PC/UC60								
AIR TEMP. ENTERING OUTDOOR UNIT	AIR TEMP. ENTERING INDOOR COIL	ID CFM								
		1400			1600			1800		
		MBTUH	KW	C.O.P.	MBTUH	KW	C.O.P.	MBTUH	KW	C.O.P.
60	60	59.1	4.9	3.6	59.6	4.7	3.7	60.2	4.5	3.9
	70	61.4	4.4	4.1	61.9	4.2	4.3	62.4	4.1	4.5
	80	63.7	4.0	4.7	64.1	3.8	4.9	64.6	3.7	5.2
47	60	47.3	3.9	3.6	49.6	3.9	3.7	51.8	3.9	3.9
	70	49.4	4.3	3.3	51.0	4.3	3.5	52.6	4.2	3.7
	80	51.5	4.8	3.2	52.4	4.6	3.3	53.3	4.5	3.5
40	60	48.4	4.0	3.6	49.2	3.8	3.8	49.9	3.7	3.9
	70	44.4	4.3	3.0	45.1	4.2	3.1	45.9	4.1	3.2
	80	40.3	4.6	2.6	41.1	4.6	2.6	41.8	4.6	2.7
30	60	36.4	3.8	2.8	39.7	3.8	3.1	42.9	3.8	3.4
	70	33.4	4.2	2.4	36.5	4.2	2.6	39.6	4.2	2.8
	80	30.5	4.6	2.0	33.4	4.6	2.1	36.3	4.6	2.3
17	60	37.0	4.0	2.7	36.1	3.9	2.7	35.2	3.8	2.7
	70	34.4	4.4	2.3	33.2	4.2	2.3	32.0	4.1	2.3
	80	31.8	4.8	2.0	30.3	4.6	1.9	28.8	4.4	1.9
10	60	32.1	3.9	2.4	31.1	3.8	2.4	30.2	3.8	2.4
	70	28.3	4.3	1.9	28.1	4.2	1.9	28.0	4.2	2.0
	80	24.6	4.7	1.5	25.2	4.6	1.6	25.7	4.6	1.7

NOTE: ALL CAPACITIES INCLUDE INDOOR FAN HEAT AT 1250 BTUH/1000 CFM.

Multipliers for determining the performance with other indoor sections.

Air Handler	Coil	MBH	KW	COP
MA16C	FC60C	1.00	0.96	1.00
MA20D	FC/MC60D	1.00	0.96	1.00
MA20D	MC61D	1.00	0.96	1.00
MV16C	FC/MC60C	1.00	0.94	1.00
MV20D	FC/MC60D	1.00	0.94	1.00
MV20D	MC61D	1.00	0.94	1.00
AHP/SHP48	–	1.00	0.96	1.00
AHP/SHP60	–	1.00	0.96	1.00
AV/SV48	–	1.00	0.92	1.03
F*FV060	–	1.00	0.99	1.00
–	HC60	1.00	0.96	1.00
–	HD60	1.00	0.96	1.00
–	MC61	1.00	0.96	1.00

Variable Speed Furnace	Coil	MBH	KW	COP
PV8*C20	FC/PC60C	1.00	0.94	1.00
PV8*C20	HC60	1.00	0.94	1.00
PV8*C20	HD60	1.00	0.94	1.00
P(C,V)9*C20	FC/PC60C	1.00	0.93	1.00
P(C,V)9*D20	FC/MC/PC60D	1.00	0.93	1.01
P(C,V)9*D20	HC60	1.00	0.94	1.00
P(C,V)9*D20	HD60	1.00	0.94	1.00
P(C,V)9*D20	MC61D	1.00	0.93	1.01

HEATING PERFORMANCE DATA										
OUTDOOR UNIT MODEL NO.		YZB06012								
INDOOR COIL MODEL NO.		FC/MC62D								
AIR TEMP. ENTERING OUTDOOR UNIT	AIR TEMP. ENTERING INDOOR COIL	ID CFM								
		1650			1900			2150		
		MBTUH	KW	C.O.P.	MBTUH	KW	C.O.P.	MBTUH	KW	C.O.P.
60	60	71.5	4.9	4.3	72.1	4.8	4.4	72.7	4.6	4.6
	70	70.3	5.4	3.8	70.9	5.3	3.9	71.5	5.1	4.1
	80	69.2	5.9	3.4	69.8	5.8	3.5	70.3	5.6	3.7
47	60	61.1	4.8	3.8	61.2	4.7	3.8	61.4	4.6	3.9
	70	60.3	5.3	3.4	60.6	5.2	3.4	60.8	5.1	3.5
	80	59.6	5.8	3.0	59.9	5.7	3.1	60.2	5.6	3.2
40	60	53.5	4.7	3.3	50.2	4.6	3.2	47.0	4.6	3.0
	70	53.7	5.3	3.0	52.0	5.1	3.0	50.4	5.0	3.0
	80	53.9	5.9	2.7	53.8	5.6	2.8	53.8	5.4	2.9
30	60	43.9	4.6	2.8	42.5	4.5	2.8	41.1	4.5	2.7
	70	44.0	5.2	2.5	42.6	5.1	2.4	41.1	5.1	2.4
	80	44.2	5.8	2.2	42.7	5.7	2.2	41.2	5.6	2.1
17	60	35.4	4.4	2.4	35.0	4.3	2.4	34.6	4.3	2.4
	70	35.0	4.9	2.1	35.3	4.9	2.1	35.7	4.8	2.2
	80	34.5	5.4	1.9	35.7	5.4	1.9	36.8	5.4	2.0
10	60	30.7	4.4	2.1	28.9	4.3	2.0	27.2	4.3	1.9
	70	30.9	4.9	1.8	30.0	4.9	1.8	29.1	4.9	1.8
	80	31.1	5.5	1.7	31.0	5.4	1.7	31.0	5.4	1.7

NOTE: ALL CAPACITIES INCLUDE INDOOR FAN HEAT AT 1250 BTUH/1000 CFM.

Multipliers for determining the performance with other indoor sections.

Air Handler	Coil	MBH	KW	COP
MV20D	FC/MC62D	1.00	1.01	0.99
MA20D	FC/MC62D	1.00	1.00	1.00

Variable Speed Furnace	Coil	MBH	KW	COP
P(C,V)9"D20	FC/MC62D	0.96	1.01	0.99